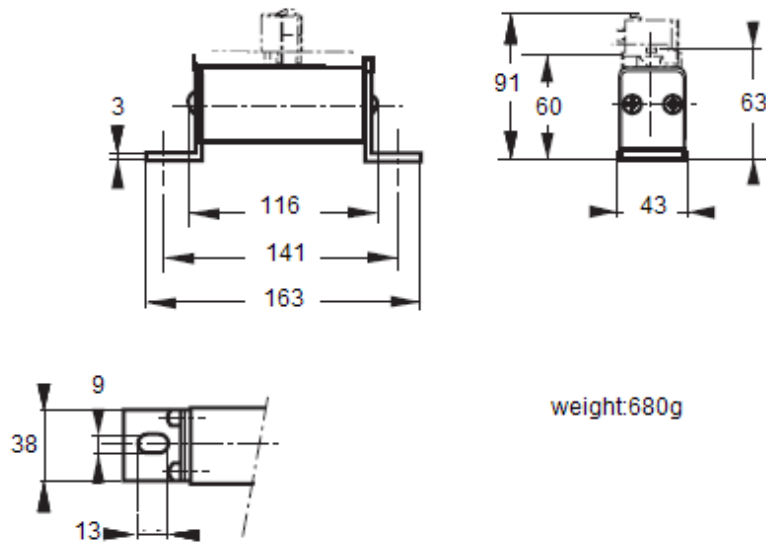


## Main Characteristics 主要技术参数 1000V~1200VDC 电流范围gR from 20 to 215 A

Size 瓷管 代号	Catalog Numbers 订货号	Designation Type 型号规格	Ampere 电流 (A)	Voltage 电压 DC(V)	Watts Loss(W) 功耗		I <sup>2</sup> t @1000V 熔断I <sup>2</sup> t(A <sup>2</sup> S)	
					0.8I <sub>n</sub>	I <sub>n</sub>	L/R=15 ms	L/R=45 ms
OLKN/140	109E8010	RDF0-20A/1200VDCgR 0LKN140	20A	1000V~1200VDC	4.5	10	180	310
	109E8011	RDF0-25A/1200VDC gR0LKN140	25A	1000V~1200VDC	7	15.5	180	310
	109E8012	RDF0-32A/1200VDC gR0LKN140	32A	1000V~1200VDC	8.5	18.5	350	610
	109E8013	RDF0-40A/1200VDC gR0LKN140	40A	1000V~1200VDC	10	22	580	1000
	109E8014	RDF0-50A/1200VDC gR0LKN140	50A	1000V~1200VDC	12	26	1030	1800
	109E8015	RDF0-63A/1200VDCgR 0LKN140	63A	1000V~1200VDC	15	33	1600	2800
	109E8016	RDF0-80A/1200VDC gR0LKN140	80A	1000V~1200VDC	18.5	37.5	3100	5400
	109E8017	RDF0-100A/1200VDC gR0LKN140	100A	1000V~1200VDC	21.5	44.5	5800	10000
	109E8018	RDF0-125A/1200VDC gR0LKN140	125A	1000V~1200VDC	28	54	9200	16000
	109E8019	RDF0-160A/1200VDCgR 0LKN140	160A	1000V~1200VDC	34	64	19200	33200
	109E8021	RDF0-200A/1200VDCgR 0LKN140	200A	1000V~1200VDC	35	65.5	45000	78500
	109E8022	RDF0-215A/1200VDCgR 0LKN140	215A	1000V~1200VDC	46	89	55000	95000

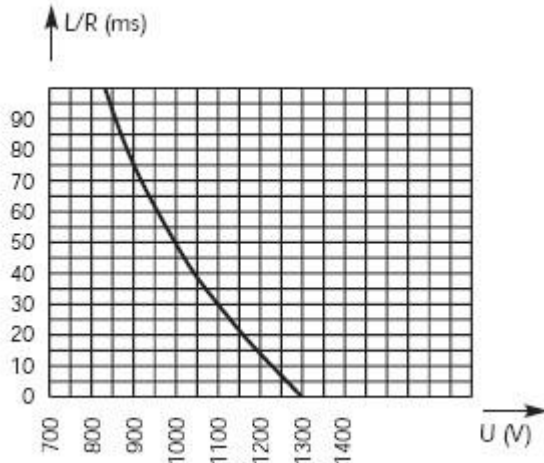
Breaking Capacity 分断能力 (KA) @ 1200 V=100KA L/R = 15 ms

Dimensions (OLKN/140) 安装尺寸示意图



## Main Characteristics 主要技术参数 1000V~1200VDC 电流范围gR from 20 to 215 A

DC applications data 应用数据

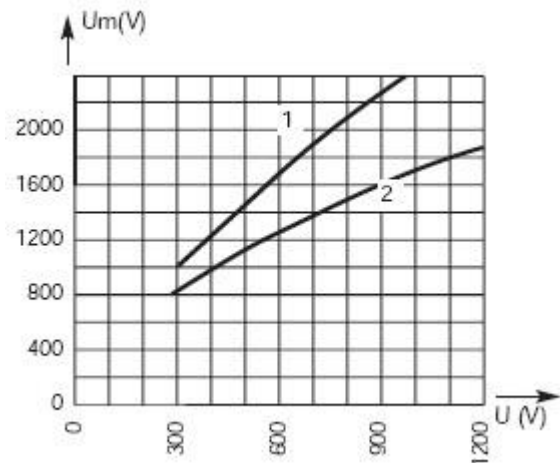


Above: Curve indicates maximum permissible value of time constant L/R as a function of DC working voltage

Max. AC voltage (50/60 Hz):

900 V with breaking capacity of 100 kA

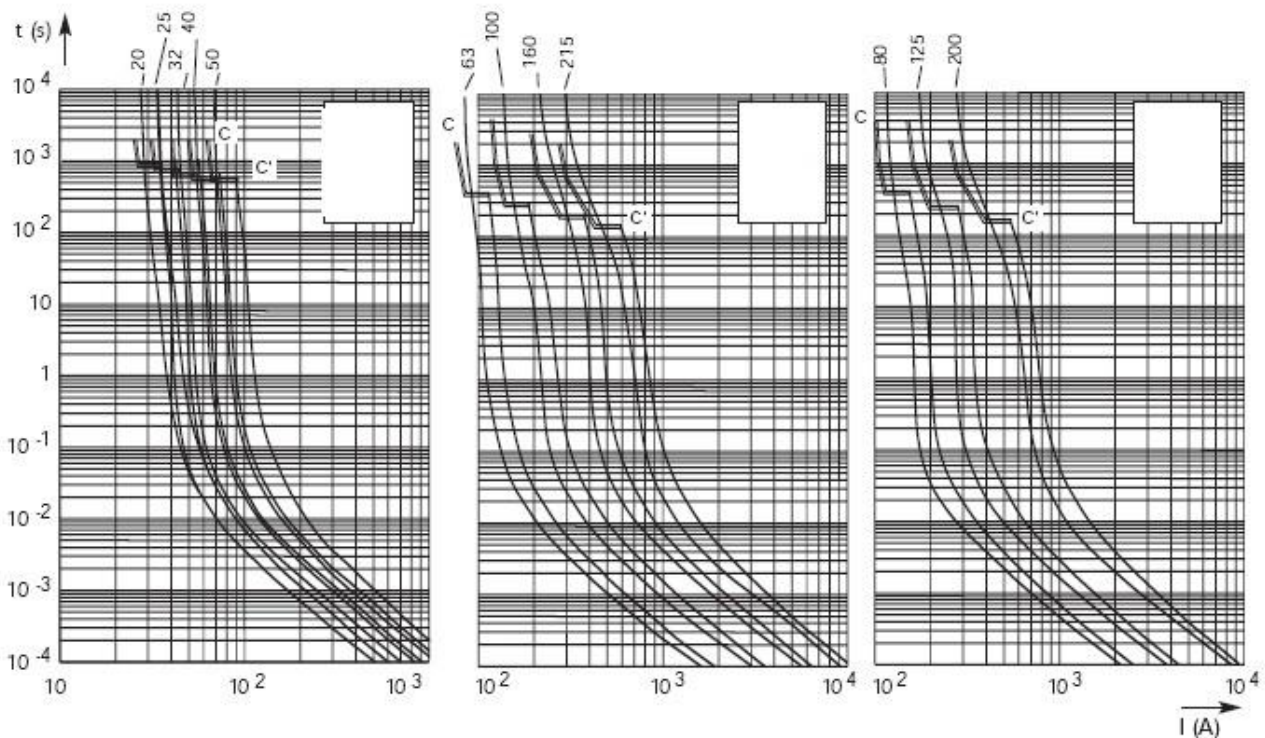
Peak arc voltage vs. working voltage



1 : L/R = 45 ms 2 : L/R = 15 ms

Above: Curves indicate for various time constants L/R the peak arc voltage, which may appear across fuse terminals, vs. DC working voltage

Time vs current characteristic 时间电流特性曲线:



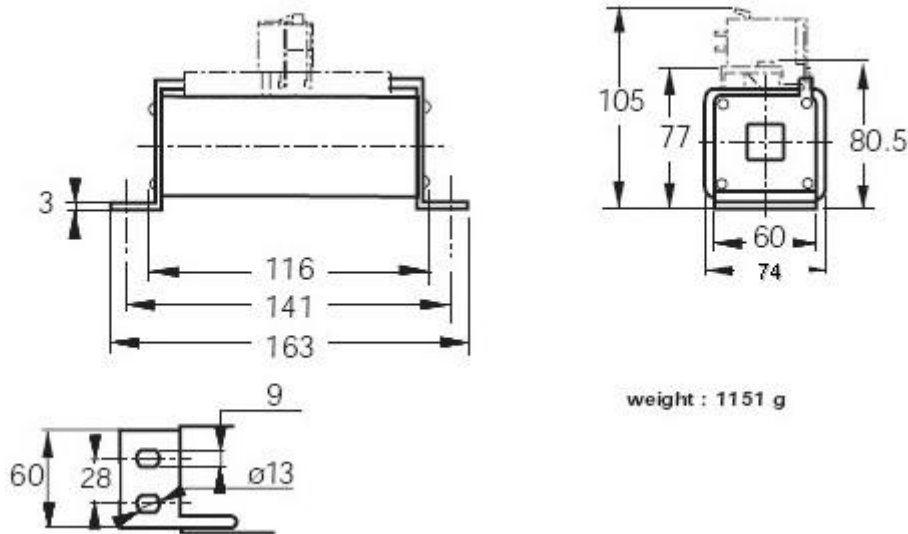
Above: Curves indicate, for each rated current, pre-arcing time vs. R.M.S. pre-arcing current.

## Main Characteristics 主要技术参数 1000V~1200VDC 电流范围gR from 160 to 420A

Size 瓷管 代号	Catalog Numbers 订货号	Designation Type 型号规格	Ampere 电流 (A)	Voltage 电压 DC(V)	Watts Loss(W) 功耗		I <sup>2</sup> t @1000V 熔断I <sup>2</sup> t(A <sup>2</sup> S)	
					0.8I <sub>n</sub>	I <sub>n</sub>	L/R=15 ms	L/R=45 ms
3LKN/140	109E8210	RDF3-160A/1200VDCgR 3LKN140	160A	1000V~1200VDC	41	78	12000	20000
	109E8211	RDF3-200A/1200VDCgR 3LKN140	200A	1000V~1200VDC	48	88	21000	36000
	109E8212	RDF3-250A/1200VDCgR 3LKN140	250A	1000V~1200VDC	57	96	45500	78500
	109E8213	RDF3-315A/1200VDCgR 3LKN140	315A	1000V~1200VDC	60	110	90000	154000
	109E8214	RDF3-400A/1200VDCgR 3LKN140	400A	1000V~1200VDC	66	129	182000	314000
	109E8215	RDF3-420A/1200VDCgR 3LKN140	420A	1000V~1200VDC	67	131	220000	380000

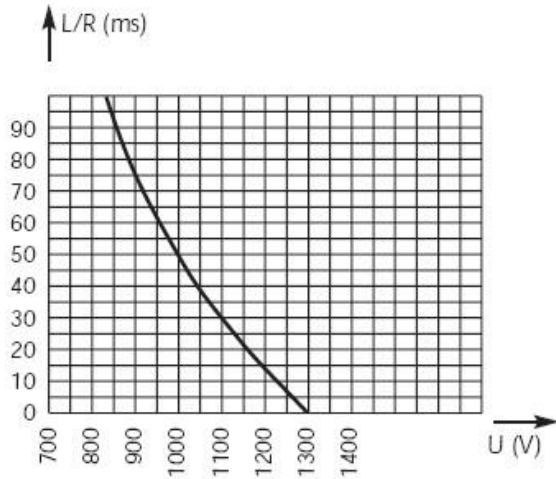
Breaking Capacity 分断能力 (KA) @ 1200 V=100KA L/R = 15 ms

### Dimensions (3LKN/140) 安装尺寸示意图



## Main Characteristics 主要技术参数 1000V~1200VDC 电流范围gR from 160 to 420A

DC applications data 应用数据

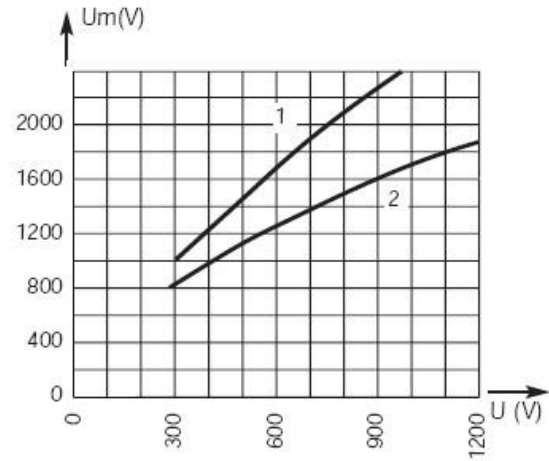


Above: Curve indicates maximum permissible value of time constant L/R as a function of DC working voltage

Max. AC voltage (50/60 Hz):

900 V with breaking capacity of 100 kA

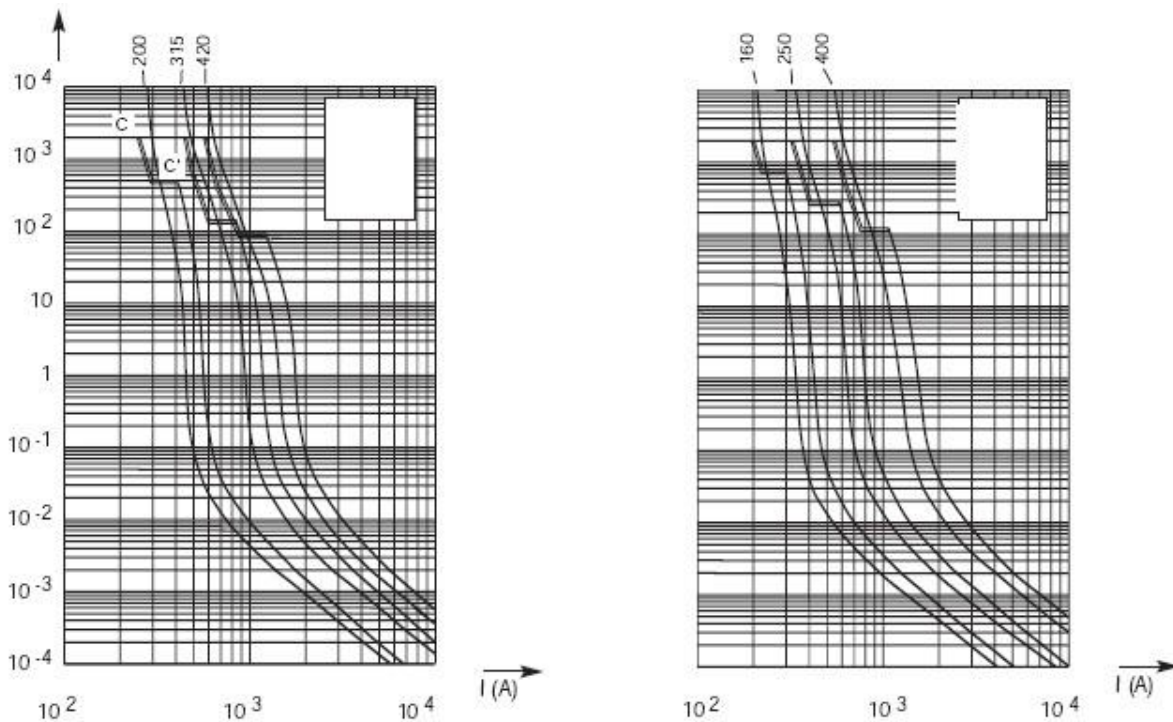
Peak arc voltage vs. working voltage



1 : L/R = 45 ms 2 : L/R = 15 ms

Above: Curves indicate for various time constants L/R the peak arc voltage, which may appear across fuse terminals, vs. DC working voltage

Time vs current characteristic 时间电流特性曲线:



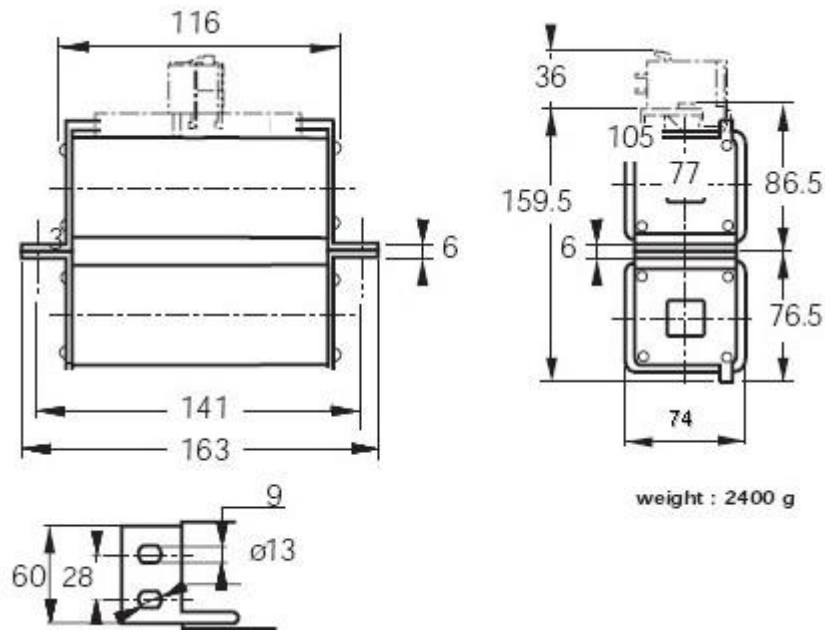
Above: Curves indicate, for each rated current, pre-arcing time vs. R.M.S. pre-arcing current.

## Main Characteristics 主要技术参数 1000V~1200VDC 电流范围gR from 500 to 840A

Size 瓷管 代号	Catalog Numbers 订货号	Designation Type 型号规格	Ampere 电流 (A)	Voltage 电压 DC(V)	Watts Loss(W) 功耗		I <sup>2</sup> t @1000V 熔断I <sup>2</sup> t(A <sup>2</sup> S)	
					0.8I <sub>n</sub>	I <sub>n</sub>	L/R=15 ms	L/R=45 ms
2-3LKN/140	109E8220	RDF23-500A/1200VDCgR 23LKN140	500A	1000V~1200VDC	120	202	182000	314000
	109E8221	RDF23- 630A/1200VDCgR 23LKN140	630A	1000V~1200VDC	126	230	360000	616000
	109E8222	RDF23-800A/1200VDCgR 23LKN140	800A	1000V~1200VDC	139	270	728000	1.25 10 <sup>6</sup>
	109E8223	RDF23-840A/1200VDCgR 23LKN140	840A	1000V~1200VDC	142	275	880000	1.53 10 <sup>6</sup>

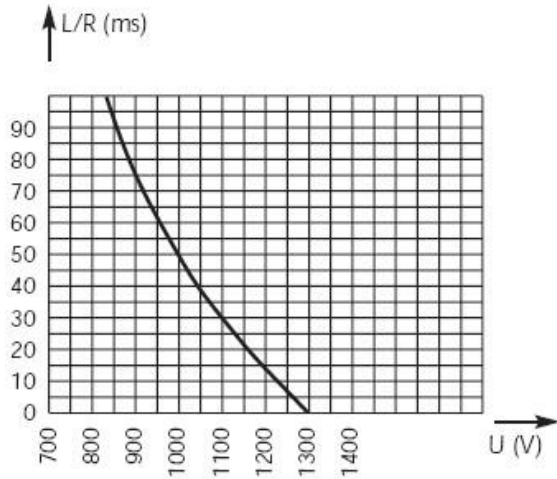
Breaking Capacity 分断能力 (KA) @ 1200 V=100KA L/R = 15 ms

### Dimensions (2-3LKN/140) 安装尺寸示意图



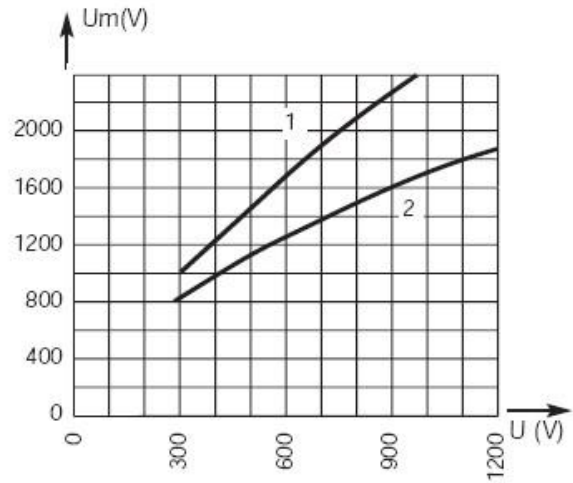
Main Characteristics 主要技术参数 1000V~1200VDC 电流范围gR from 500 to 840A

DC applications data



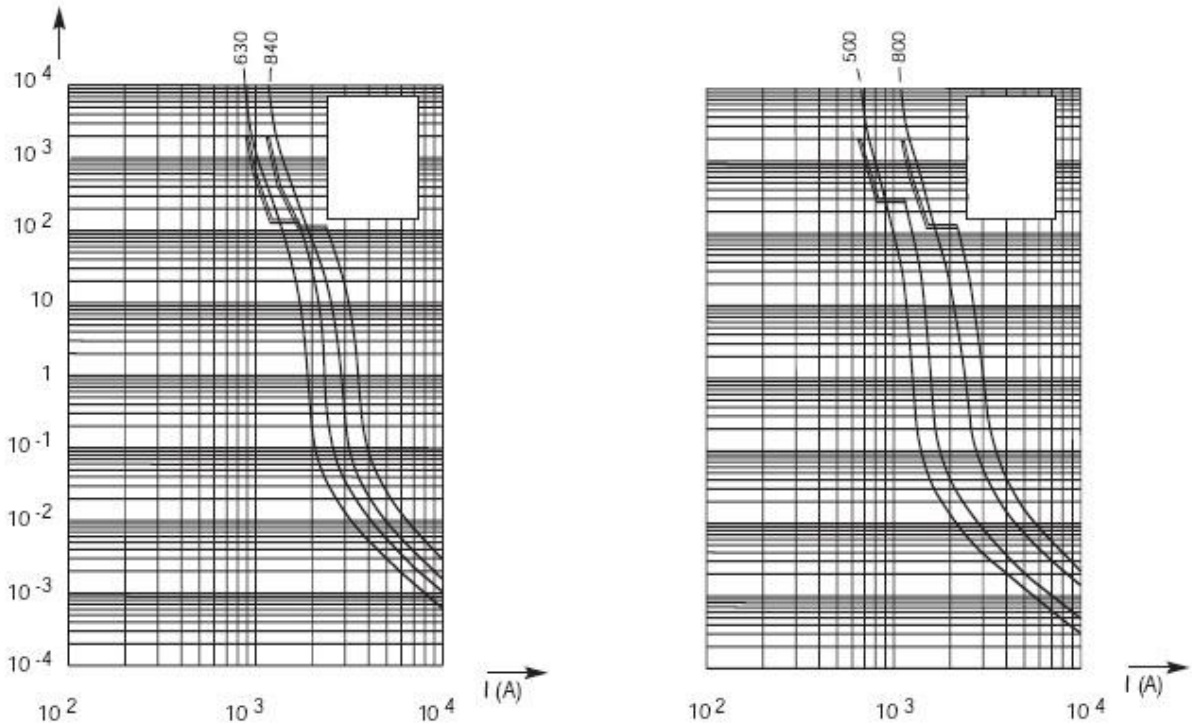
Above: Curve indicates maximum permissible value of time constant L/R as a function of DC working voltage  
 Max. AC voltage (50/60 Hz):  
 900 V with breaking capacity of 100 kA

Peak arc voltage vs. working voltage



1 : L/R = 45 ms 2 : L/R = 15 ms  
 Above: Curves indicate for various time constants L/R the peak arc voltage, which may appear across fuse terminals, vs. DC working voltage

Time vs current characteristic 时间电流特性曲线:



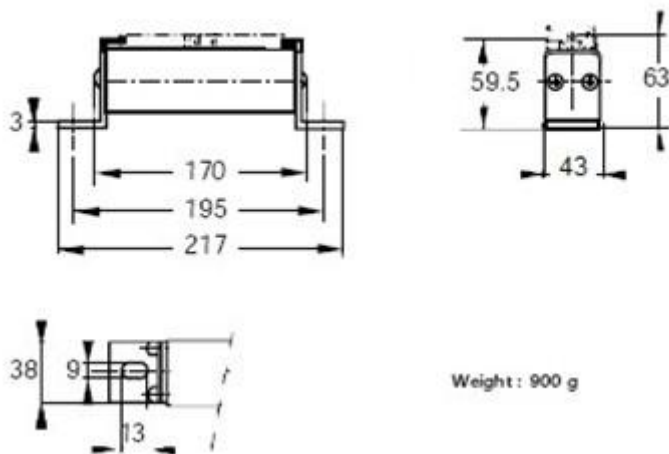
Above: Curves indicate, for each rated current, pre-arcing time vs. R.M.S. pre-arcing current.

## Main Characteristics 主要技术参数 1500V~2000VDC 电流范围gR from 20 to 215 A

Size 瓷管 代号	Catalog Numbers 订货号	Designation Type 型号规格	Ampere 电流 (A)	Voltage 电压 DC(V)	Watts Loss(W) 功耗		I <sup>2</sup> t @2000V 熔断I <sup>2</sup> t(A <sup>2</sup> S)	
					0.8I <sub>n</sub>	I <sub>n</sub>	L/R=15 ms	L/R=45 ms
OLKN/195	109E8030	RDF0-20A/2000VDCgR 0LKN195	20A	1500V~2000VDC	8	16	180	310
	109E8031	RDF0-25A/2000VDCgR 0LKN195	25A	1500V~2000VDC	12.5	25	180	310
	109E8032	RDF0-32A/2000VDCgR 0LKN195	32A	1500V~2000VDC	14.5	29.5	350	610
	109E8033	RDF0-40A/2000VDCgR 0LKN195	40A	1500V~2000VDC	17.5	36	580	1000
	109E8034	RDF0-50A/2000VDCgR 0LKN195	50A	1500V~2000VDC	20.5	42	1030	1800
	109E8035	RDF0-63A/2000VDCgR 0LKN195	63A	1500V~2000VDC	26	53.5	1600	2800
	109E8036	RDF0-80A/2000VDCgR 0LKN195	80A	1500V~2000VDC	30	61.5	3100	5400
	109E8037	RDF0-100A/2000VDCgR 0LKN195	100A	1500V~2000VDC	35	70.5	5800	10000
	109E8038	RDF0-125A/2000VDCgR 0LKN195	125A	1500V~2000VDC	43	87.5	9200	16000
	109E8039	RDF0-160A/2000VDCgR 0LKN195	160A	1500V~2000VDC	49	99	19200	33200
	109E8040	RDF0-200A/2000VDCgR 0LKN195	200A	1500V~2000VDC	49.5	101	45000	78500
109E8041	RDF0-215A/2000VDCgR 0LKN195	215A	1500V~2000VDC	52	106	55000	95000	

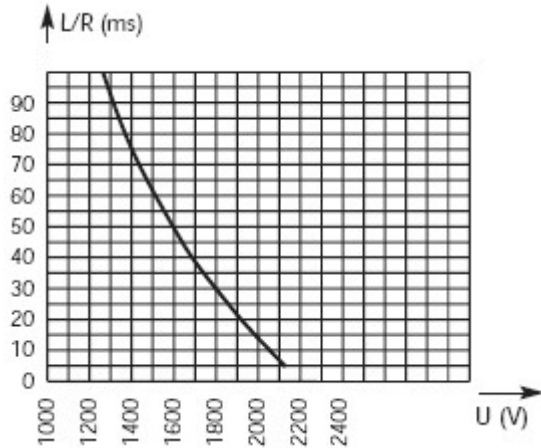
Breaking Capacity 分断能力 (KA) @ 2000 V=100KA L/R = 15 ms

Dimensions (OLKN/195) 安装尺寸示意图



## Main Characteristics 主要技术参数 1500V~2000VDC 电流范围gR from 20 to 215 A

DC applications data 直流应用数据

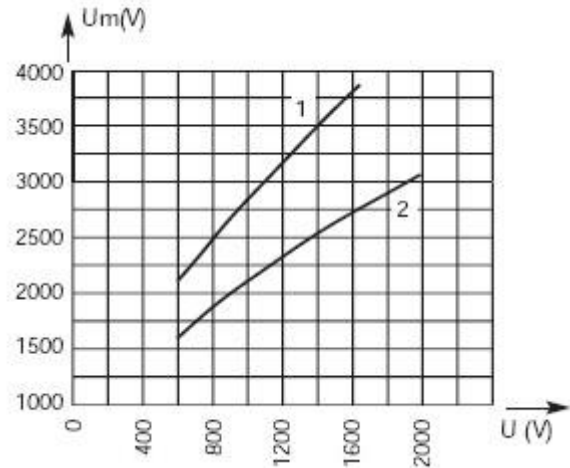


Above: Curve indicates maximum permissible value of time constant L/R as a function of DC working voltage

Max. AC voltage (50/60 Hz):

1500 V with breaking capacity of 100 kA

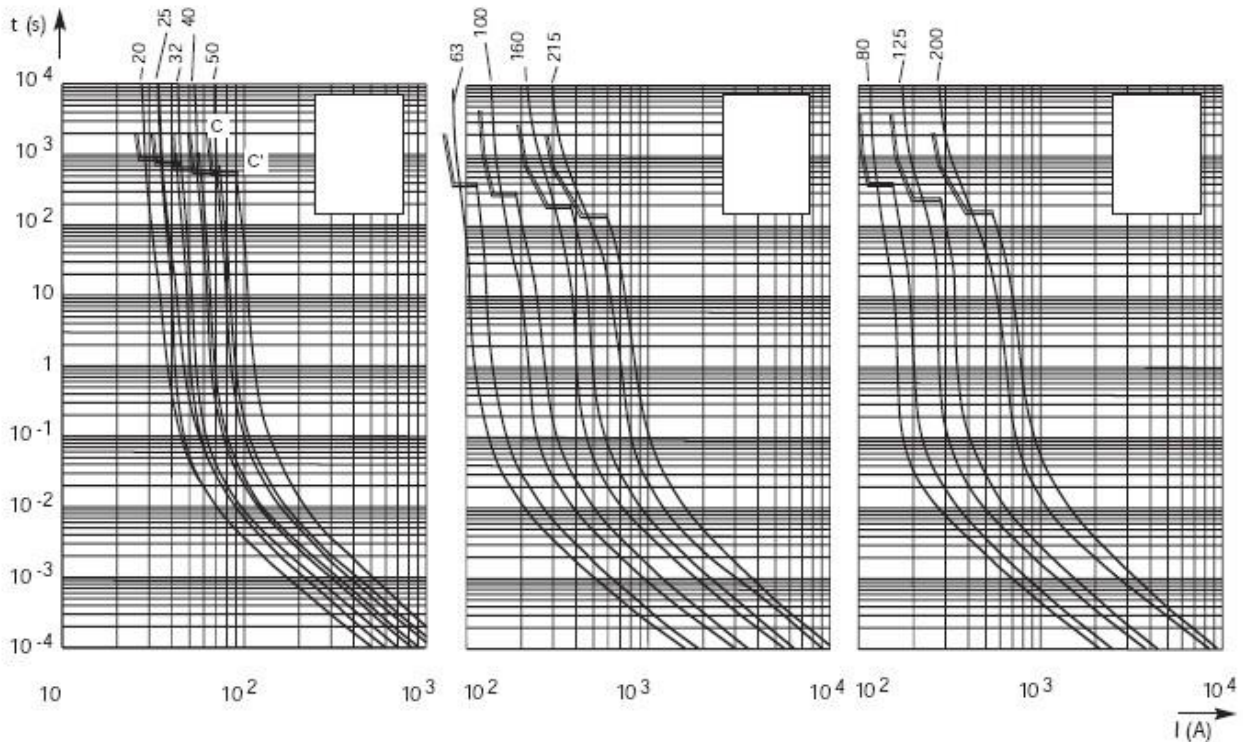
Peak arc voltage vs. working voltage



1 : L/R = 45 ms 2 : L/R = 15 ms

Above: Curves indicate for various time constants L/R the peak arc voltage, which may appear across fuse terminals, vs. DC working voltage

### Time vs current characteristic 时间电流特性曲线:



Above: Curves indicate, for each rated current, pre-arcing time vs. R.M.S. pre-arcing current.



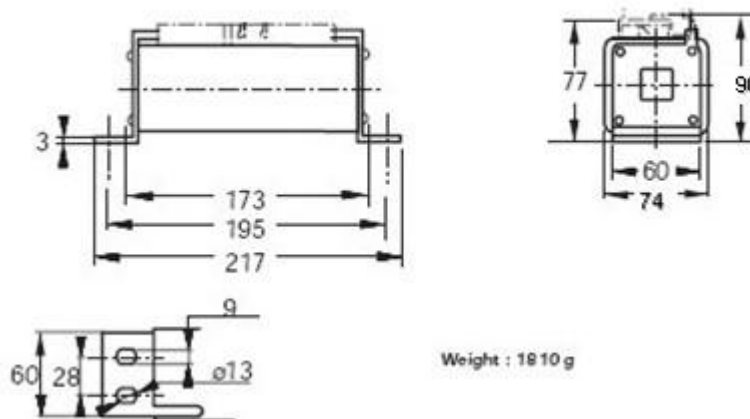
## Main Characteristics 主要技术参数 1500V~2000VDC 电流范围gR from 160 to 400 A

Size 瓷管 代号	Catalog Numbers 订货号	Designation Type 型号规格	Ampere 电流 (A)	Voltage 电压 DC(V)	Watts Loss(W) 功耗		I <sup>2</sup> t @2000VDC 熔断I <sup>2</sup> t(A <sup>2</sup> S)	
					0.8I <sub>n</sub>	I <sub>n</sub>	L/R=15 ms	L/R=45 ms
3LKN/195	109E8230	RDF3-160A/2000VDCgR 3LKN195	160A	1500V~2000VDC	52.5	100	15000	25000
	109E8231	RDF3-200A/2000VDCgR 3LKN195	200A	1500V~2000VDC	61.5	118	26000	44000
	109E8232	RDF3-250A/2000VDCgR 3LKN195	250A	1500V~2000VDC	69	131	50000	87000
	109E8233	RDF3-315A/2000VDCgR 3LKN195	315A	1500V~2000VDC	74	150	117000	200000
	109E8234	RDF3-400A/2000VDCgR 3LKN195	400A	1500V~2000VDC	87	175	219000	380000

160A~250A Breaking Capacity 分断能力 (KA) @18000 V=100KA L/R = 30 ms.

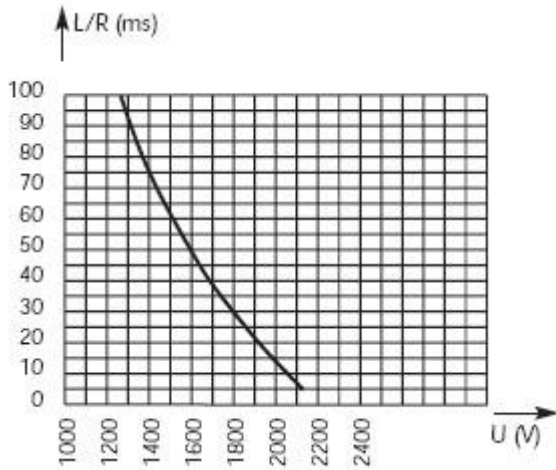
315A~400A Breaking Capacity 分断能力 (KA) @ 2000 V=100KA L/R = 15 ms.

### Dimensions (3LKN/195) 安装尺寸示意



## Main Characteristics 主要技术参数 1500V~2000VDC 电流范围gR from 160 to 400 A

DC applications data 直流应用数据

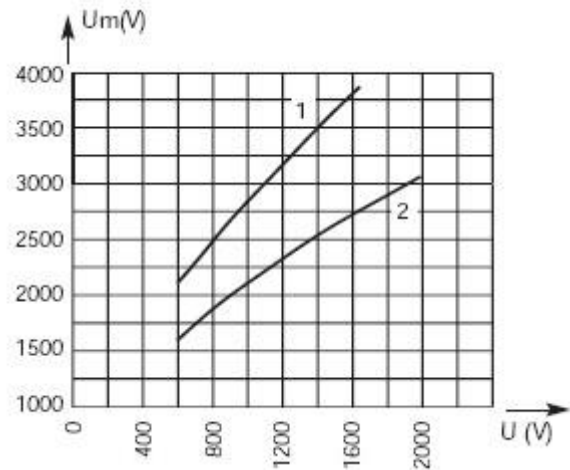


Above: Curve indicates maximum permissible value of time constant L/R as a function of DC working voltage

Max. AC voltage (50/60 Hz):

1500 V with breaking capacity of 100 kA

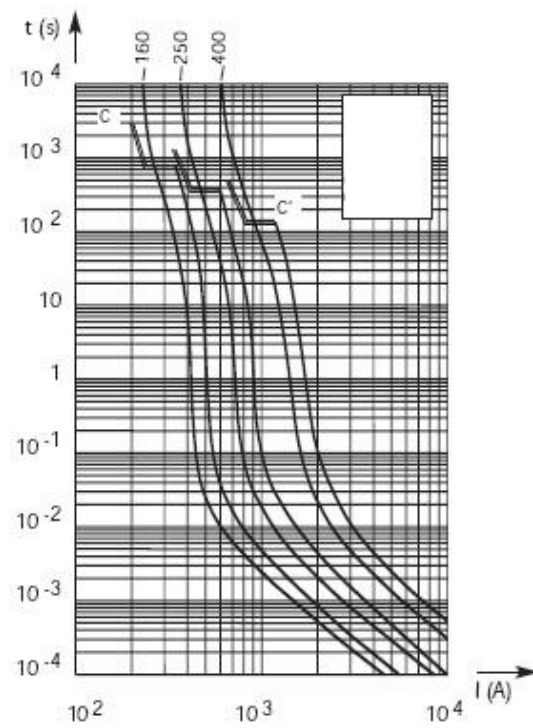
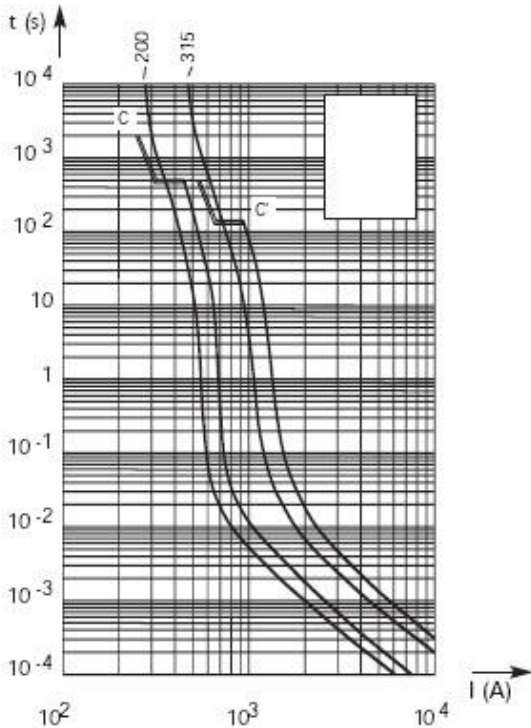
Peak arc voltage vs. working voltage



1 : L/R = 45 ms 2 : L/R = 15 ms

Above: Curves indicate for various time constants L/R the peak arc voltage, which may appear across fuse terminals, vs. DC working voltage

### Time vs current characteristic 时间电流特性曲线:



Above: Curves indicate, for each rated current, pre-arcing time vs. R.M.S. pre-arcing current.

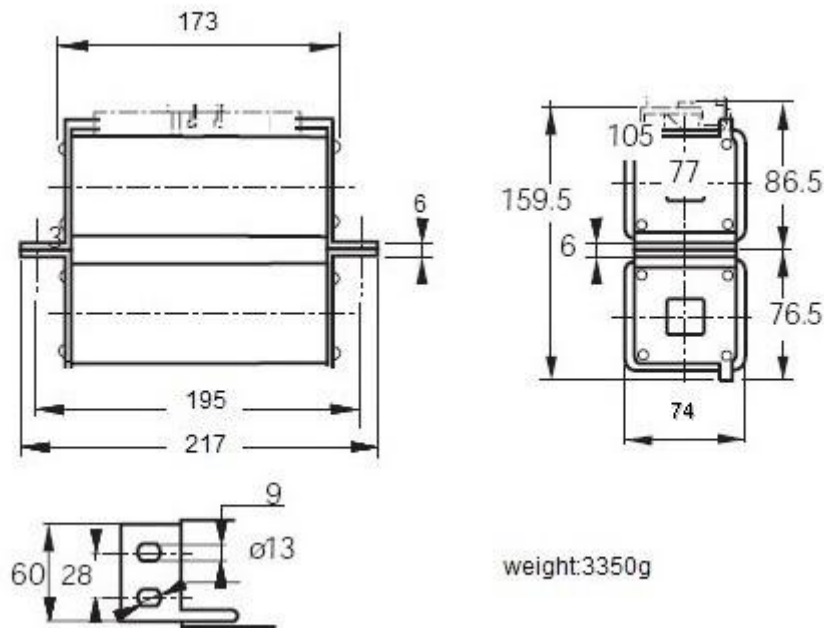
## Main Characteristics 主要技术参数 1500V~2000VDC 电流范围gR from 500 to 800 A

Size 瓷管 代号	Catalog Numbers 订货号	Designation Type 型号规格	Ampere 电流 (A)	Voltage 电压 DC(V)	Watts Loss(W) 功耗		I <sup>2</sup> t @2000V 熔断I <sup>2</sup> t(A <sup>2</sup> S)	
					0.8I <sub>n</sub>	I <sub>n</sub>	L/R=15 ms	L/R=45 ms
23LKN/195	109E8240	RDF23-500A/2000VDCgR 23LKN195	500A	1500V~2000VDC	145	274	200000	348000
	109E8241	RDF23-630A/2000VDCgR 23LKN195	630A	1500V~2000VDC	155	314	468000	800000
	109E8242	RDF23- 800A/2000VDCgR 23LKN195	800A	1500V~2000VDC	182	367	876000	1520000

500A Breaking Capacity分断能力 (KA) @18000 V=100KA L/R = 30 ms.

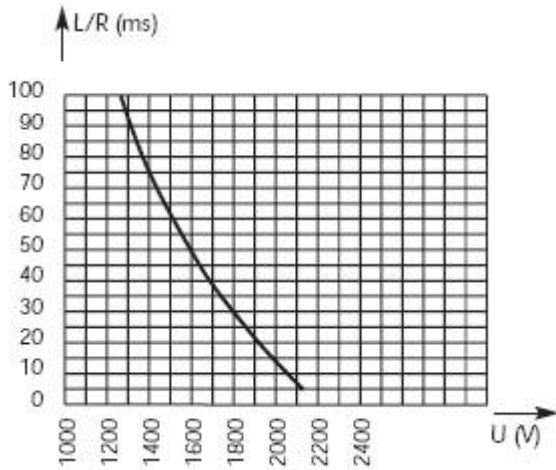
630A~800A Breaking Capacity分断能力 (KA) @ 2000 V=100KA L/R = 15 ms.

### Dimensions (23LKN/195) 安装尺寸示意



## Main Characteristics 主要技术参数 1500V~2000VDC 电流范围gR from 500 to 800 A

DC applications data

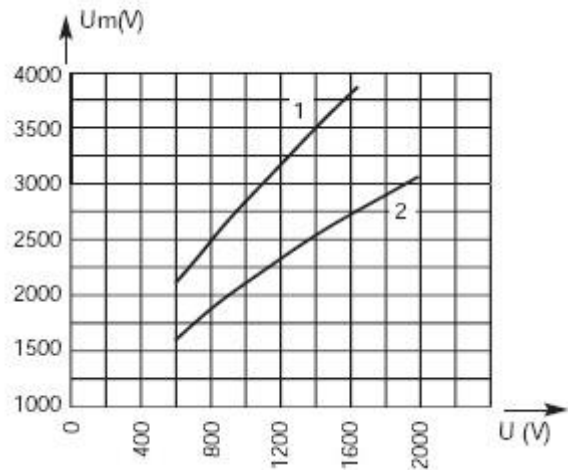


Above: Curve indicates maximum permissible value of time constant L/R as a function of DC working voltage

Max. AC voltage (50/60 Hz):

1500 V with breaking capacity of 100 kA

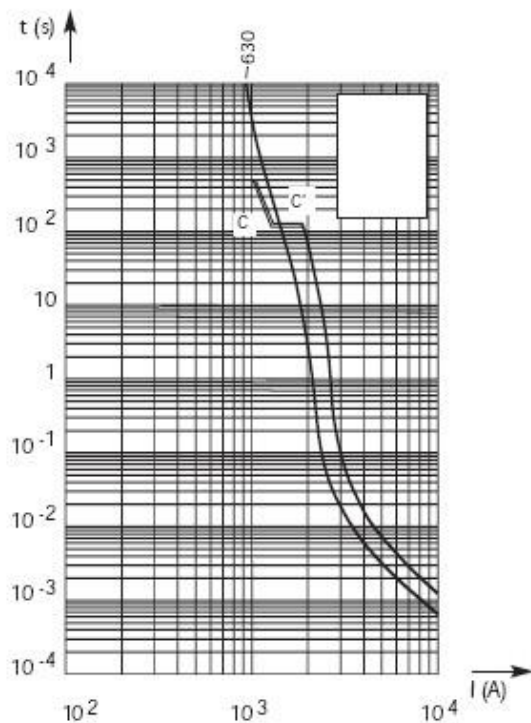
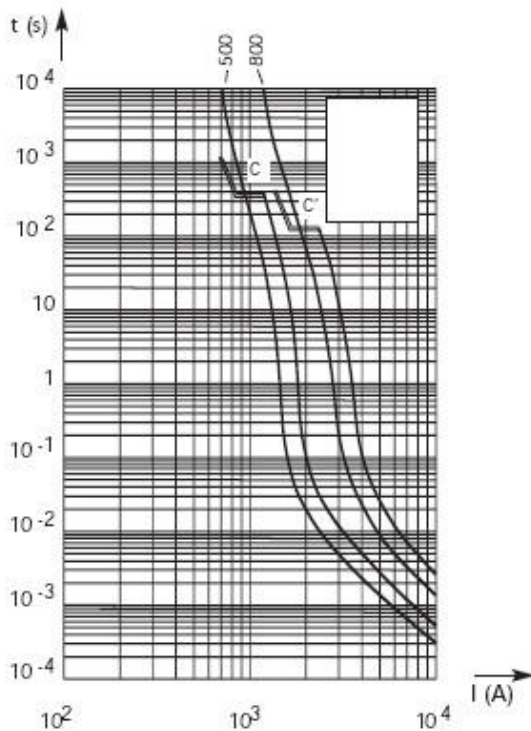
Peak arc voltage vs. working voltage



1 : L/R = 45 ms 2 : L/R = 15 ms

Above: Curves indicate for various time constants L/R the peak arc voltage, which may appear across fuse terminals, vs. DC working voltage

### Time vs current characteristic 时间电流特性曲线:



Above: Curves indicate, for each rated current, pre-arcing time vs. R.M.S. pre-arcing current.

## Main Characteristics 主要技术参数 1750V~2000VDC 电流范围gR from 6A to 125 A

Size 瓷管代号	Catalog Numbers 订货号	Designation Type 型号规格	Ampere 电流(A)	Voltage 电压 DC(V)	Watts Loss(W) 功耗	
					0.8I <sub>n</sub>	I <sub>n</sub>
2LKN/246	109E8250	RDF2-6A/1750VDCgR 2LKN/246	6A	1750V~2000VDC	3.4	6
	109E8251	RDF2-8A/1750VDCgR 2LKN/246	8A	1750V~2000VDC	4.4	8
	109E8252	RDF2-10A/1750VDCgR 2LKN/246	10A	1750V~2000VDC	5.8	10.6
	109E8253	RDF2-12A/1750VDCgR 2LKN/246	12A	1750V~2000VDC	6	11
	109E8254	RDF2-16A/1750VDCgR 2LKN/246	16A	1750V~2000VDC	6.7	12
	109E8255	RDF2-20A/2000VDCgR 2LKN/246	20A	1750V~2000VDC	7.9	14
	109E8256	RDF2-25A/2000VDCgR 2LKN/246	25A	1750V~2000VDC	10	18
	109E8257	RDF2-32A/2000VDCgR 2LKN/246	32A	1750V~2000VDC	13.5	24
	109E8258	RDF2-40A/2000VDCgR 2LKN/246	40A	1750V~2000VDC	16	29
	109E8259	RDF2-50A/2000VDCgR 2LKN/246	50A	1750V~2000VDC	19	34
	109E8260	RDF2-63A/2000VDCgR 2LKN/246	63A	1750V~2000VDC	23.5	42.5
	109E8261	RDF2-80A/2000VDCgR 2LKN/246	80A	1750V~2000VDC	28.5	51.5
	109E8262	RDF2-80A/2000VDCgR 2LKN/246	80A	1750V~2000VDC	22	40
	109E8263	RDF2-100A/2000VDCgR 2LKN/246	100A	1750V~2000VDC	28	50
	109E8264	RDF2-125A/1800VDCgR 2LKN/246	125A	1750V~2000VDC	30	55

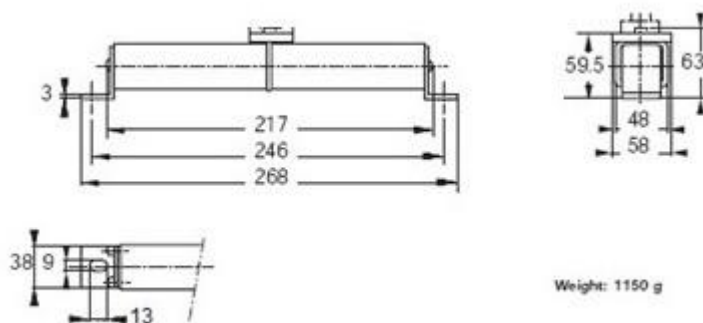
6A~16A Breaking Capacity分断能力 (KA) @ 1750 V DC30 KA L/R = 30 ms ;

20A~80A Breaking Capacity分断能力 (KA) @ 2000 V DC30 KA L/R = 30 ms ;

80A~100A Breaking Capacity分断能力 (KA) @ 2000 V DC30 KA L/R = 15 ms ;

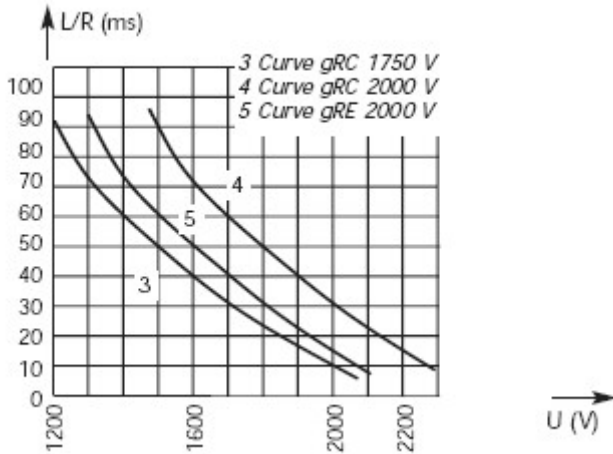
125A Breaking Capacity分断能力 (KA) @ 1800 V DC100 KA L/R = 20 ms

Dimensions (2LKN/246) 安装尺寸示意:



## Main Characteristics 主要技术参数 1750V~2000VDC 电流范围gR from 6A to 125 A

DC applications data

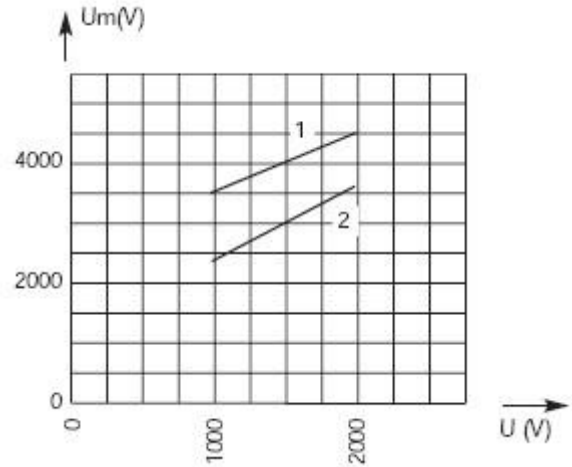


Above: Curve indicates maximum permissible value of time constant L/R as a function of DC working voltage

Max. AC voltage (50/60 Hz):

1700 V with breaking capacity of 80 kA

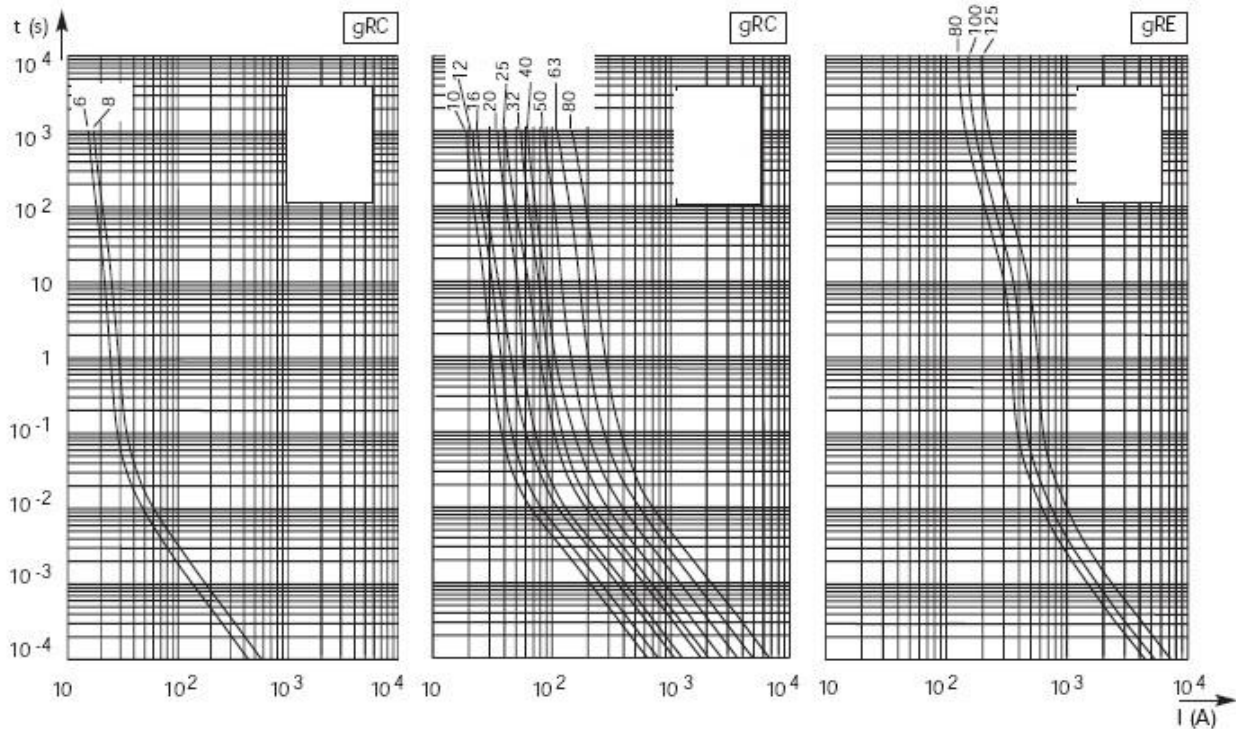
Peak arc voltage vs. working voltage



1 : L/R = 30 ms 2 : L/R = 15 ms

Above: Curves indicate for various time constants L/R the peak arc voltage, which may appear across fuse terminals, vs. DC working voltage

### Time vs current characteristic 时间电流特性曲线:



Above: Curves indicate, for each rated current, pre-arcing time vs. R.M.S. pre-arcing current

## Main Characteristics 主要技术参数 1750V~2000VDC 电流范围gR from 100 to 280 A

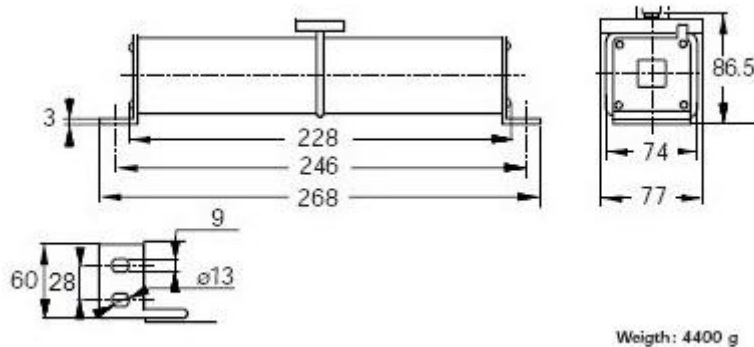
Size 瓷管代号	Catalog Numbers 订货号	Designation Type 型号规格	Ampere 电流(A)	Voltage 电压 DC(V)	Watts Loss(W) 功耗	
					0.8In	In
3LKN/246	109E8310	RDF3-100A/2000VDCgR 3LKN/246	100A	1750V~2000VDC	30	58.5
	109E8311	RDF3-125A/2000VDCgR 3LKN/246	125A	1750V~2000VDC	37	72
	109E8312	RDF3-160A/2000VDCgR 3LKN/246	160A	1750V~2000VDC	47.5	93
	109E8313	RDF3-160A/2000VDCgR 3LKN/246	160A	1750V~2000VDC	42	70
	109E8314	RDF3-200A/2000VDCgR 3LKN/246	200A	1750V~2000VDC	48	80
	109E8315	RDF3-250A/1800VDCgR 3LKN/246	250A	1750V~2000VDC	57	95
	109E8316	RDF3-280A/1800VDCgR 3LKN/246	280A	1750V~2000VDC	60	100

100A~160A Breaking Capacity分断能力 (KA) @ 2000 V DC30 KA L/R = 30 ms ;

160A~200A Breaking Capacity分断能力 (KA) @ 2000 V DC30 KA L/R = 15 ms ;

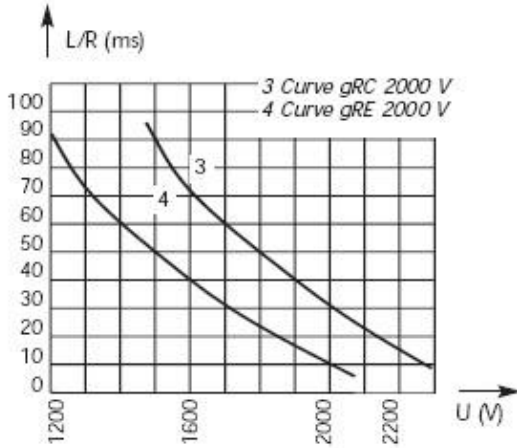
250A~280A Breaking Capacity分断能力 (KA) @ 1800 V DC100 KA L/R = 20 ms ;

### Dimensions (3LKN/246) 安装尺寸示意:



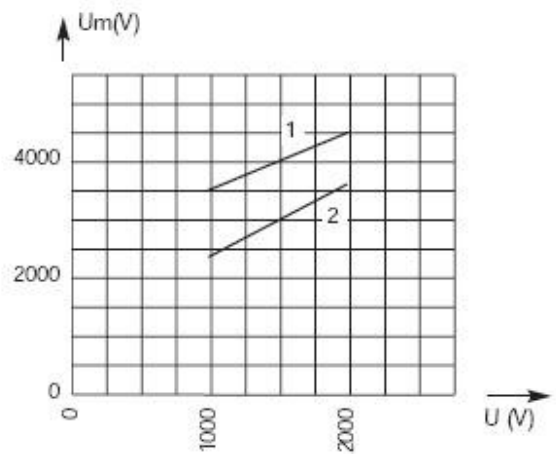
## Main Characteristics 主要技术参数 1750V~2000VDC 电流范围 gR from 100A to 280 A

DC applications data



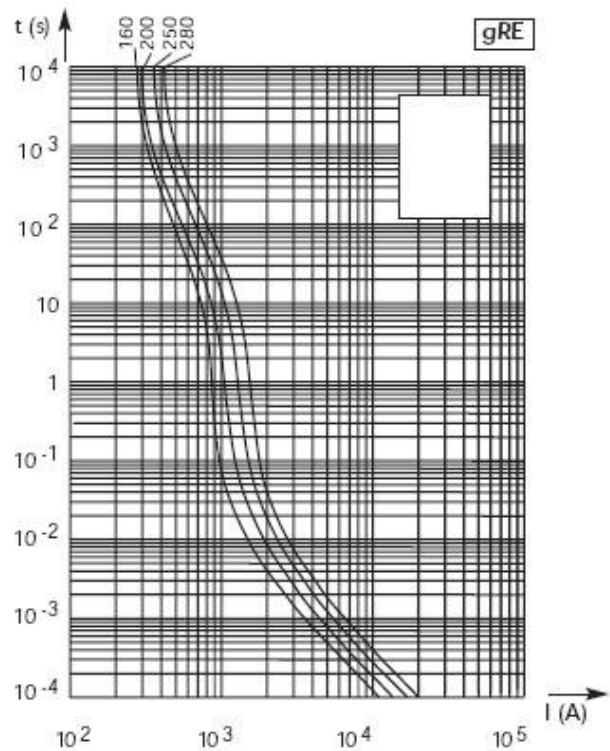
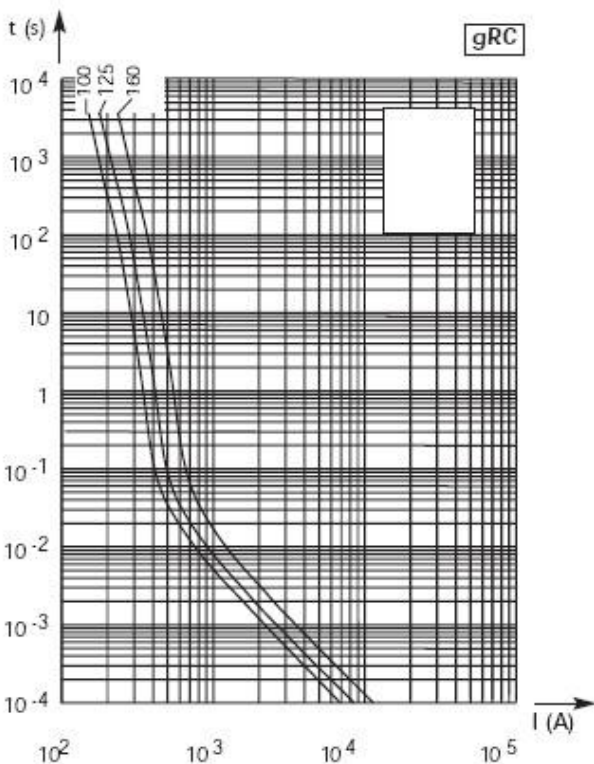
Above: Curve indicates maximum permissible value of time constant L/R as a function of DC working voltage  
 Max. AC voltage (50/60 Hz):  
 1700 V with breaking capacity of 80 kA

Peak arc voltage vs. working voltage



1、Curve gRC : L/R = 30 ms 2、Curve gRE : L/R = 15 ms  
 Above: Curves indicate for various time constants L/R the peak arc voltage ,which may appear across fuse terminals, vs. DC working voltage

### Time vs current characteristic 时间电流特性曲线:



Above: Curves indicate, for each rated current, pre-arcing time vs. R.M.S. pre-arcing current.



## Main Characteristics 主要技术参数 1750V~2000VDC 电流范围 gR from 200A to 560 A

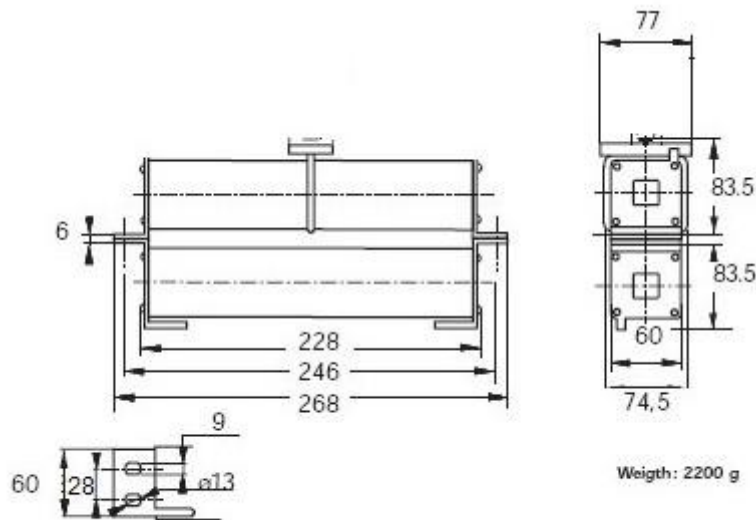
Size 瓷管 代号	Catalog Numbers 订货号	Designation Type 型号规格	Ampere 电流(A)	Voltage 电压 DC(V)	Watts Loss(W) 功耗	
					0.8In	In
23LKN/246	109E8320	RDF23-200A/2000VDCgR 23LKN/246	200A	1750V~2000VDC	60	117
	109E8321	RDF23-250A/2000VDCgR 23LKN/246	250A	1750V~2000VDC	74	144
	109E8322	RDF23-315A/2000VDCgR 23LKN/246	315A	1750V~2000VDC	84	140
	109E8323	RDF23-400A/2000VDCgR 23LKN/246	400A	1750V~2000VDC	96	160
	109E8324	RDF23-500A/2000VDCgR 23LKN/246	500A	1750V~2000VDC	115	190
	109E8325	RDF23-560A/1800VDCgR 23LKN/246	560A	1750V~2000VDC	120	200

200A~315A Breaking Capacity 分断能力 (KA) @ 2000 V DC 30 KA L/R = 30 ms ;

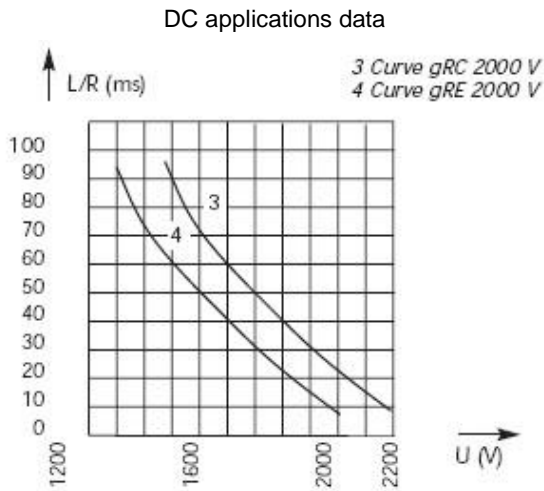
400A~500A Breaking Capacity 分断能力 (KA) @ 2000 V DC 30 KA L/R = 15 ms ;

560A Breaking Capacity 分断能力 (KA) @ 1800 V DC 100 KA L/R = 20 ms

### Dimensions (2-3LKN/246) 安装尺寸示意:



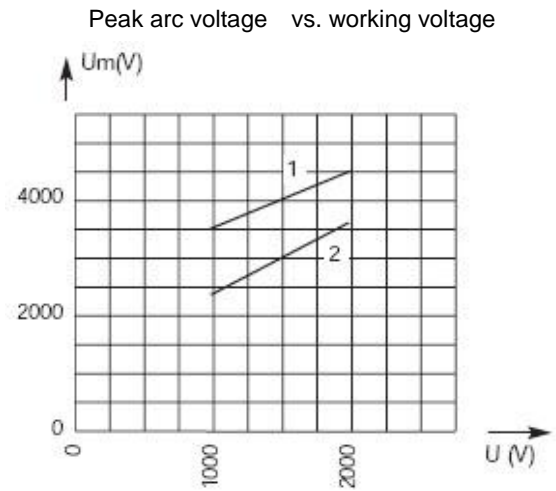
## Main Characteristics 主要技术参数 1750V~2000VDC 电流范围 gR from 200A to 560 A



Above: Curve indicates maximum permissible value of time constant L/R as a function of DC working voltage

Max. AC voltage (50/60 Hz):

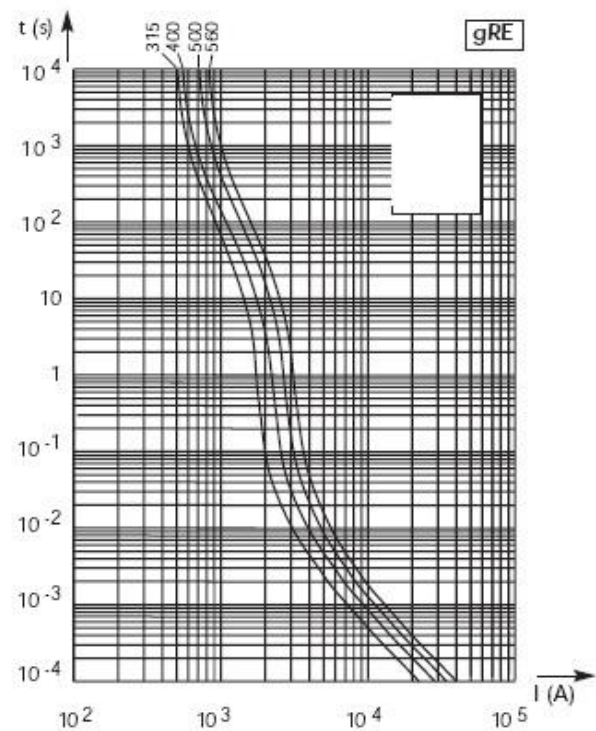
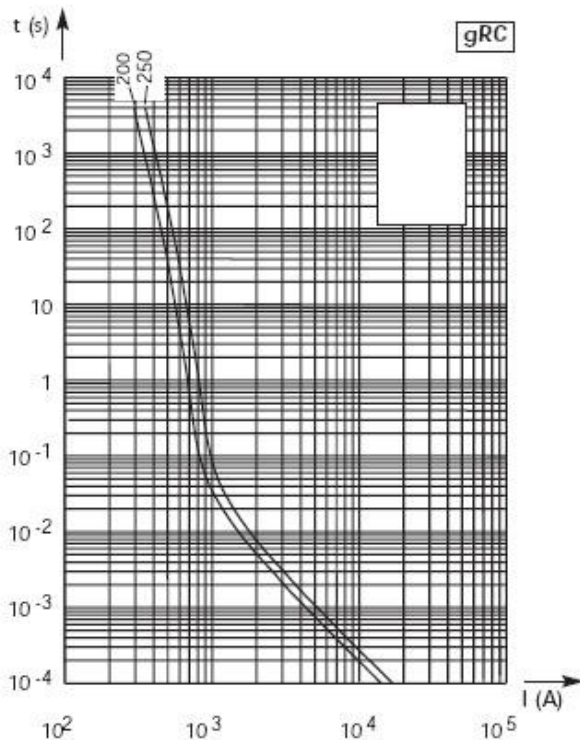
1700 V with breaking capacity of 80 kA



1、Curve gRC : L/R = 30 ms 2、Curve gRE : L/R = 15 ms

Above: Curves indicate for various time constants L/R the peak arc voltage, which may appear across fuse terminals, vs. DC working voltage

### Time vs current characteristic 时间电流特性曲线:



Above: Curves indicate, for each rated current, pre-arcing time vs. R.M.S. pre-arcing current.

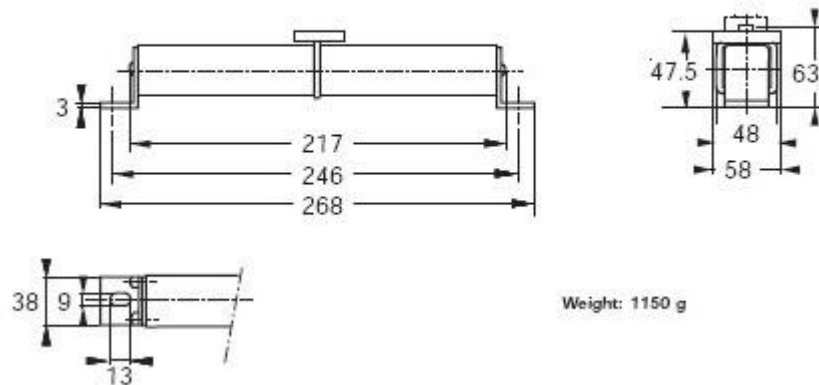
## Main Characteristics 主要技术参数 2200V~2400VDC 电流范围gR from 20 to 180 A

Size 瓷管 代号	Catalog Numbers 订货号	Designation Type 型号规格	Ampere 电流 (A)	Voltage 电压 DC(V)	Watts Loss(W) 功耗		I <sup>2</sup> t @2400V 熔断I <sup>2</sup> t(A <sup>2</sup> S)	
					0.8I <sub>n</sub>	I <sub>n</sub>	L/R=15 ms	L/R=45 ms
2LKN/246	109E8270	RDF2-20A/2400VDCgR 2LKN246	20A	2200V~2400VDC	18	36	150	260
	109E8271	RDF2-25A/2400VDCgR2LKN246	25A	2200V~2400VDC	21	42	260	460
	109E8272	RDF2-32A/2400VDCgR2LKN246	32A	2200V~2400VDC	22	43	310	540
	109E8273	RDF2-40A/2400VDCgR 2LKN246	40A	2200V~2400VDC	26	51	530	920
	109E8274	RDF2-50A/2400VDCgR2LKN246	50A	2200V~2400VDC	32	62	750	1300
	109E8275	RDF2-63A/2400VDCgR2LKN246	63A	2200V~2400VDC	35	69	1650	2900
	109E8276	RDF2-80A/2400VDCgR2LKN246	80A	2200V~2400VDC	38	75	3700	6500
	109E8277	RDF2-100A/2400VDCgR2LKN246	100A	2200V~2400VDC	41	80	8000	14000
	109E8278	RDF2-125A/2400VDCgR2LKN246	125A	2200V~2400VDC	49	95	14000	25000
	109E8279	RDF2-160A/2400VDCgR 2LKN246	160A	2200V~2400VDC	50	96	34000	60000
109E8280	RDF2-180A/2400VDCgR2LKN246	180A	2200V~2400VDC	51	98	57000	100000	

20A~80A Breaking Capacity分断能力 (KA) @ 2400 V=100KA L/R = 15 ms。

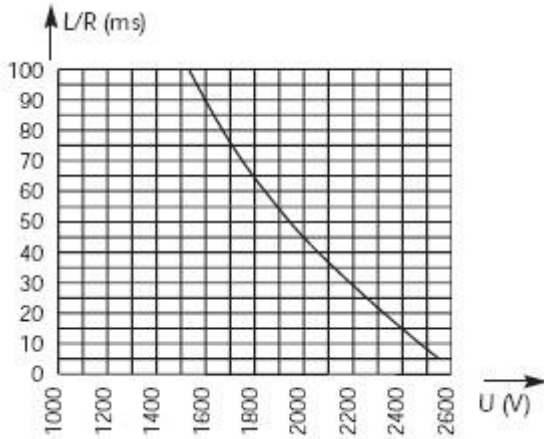
100A~180A Breaking Capacity分断能力 (KA) @ 2000 V=100KA L/R = 45 ms。

Dimensions (2LKN/246) 安装尺寸示意图



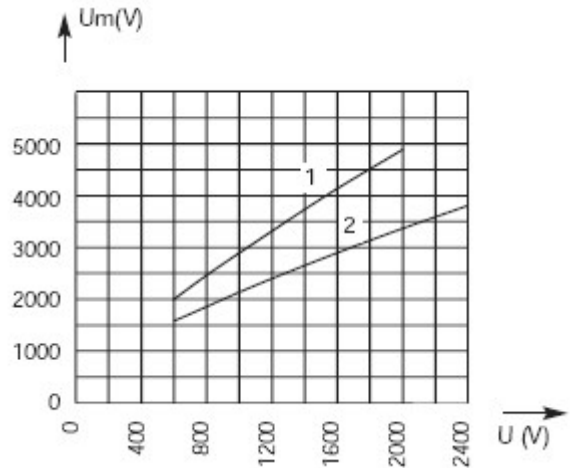
## Main Characteristics 主要技术参数 2200V~2400VDC 电流范围gR from 20 to 180 A

DC applications data 直流应用数据



Above: Curve indicates maximum permissible value of time constant L/R as a function of DC working voltage  
 Max. AC voltage (50/60 Hz):  
 1500 V with breaking capacity of 100 kA

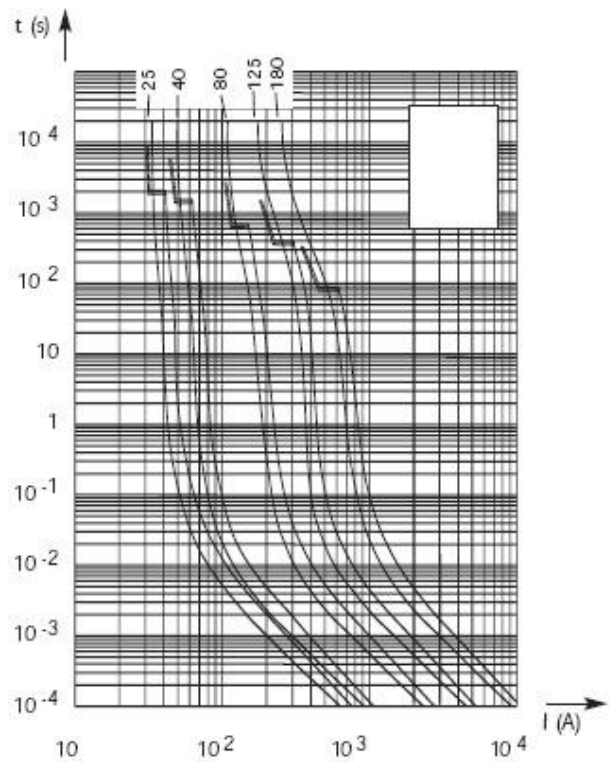
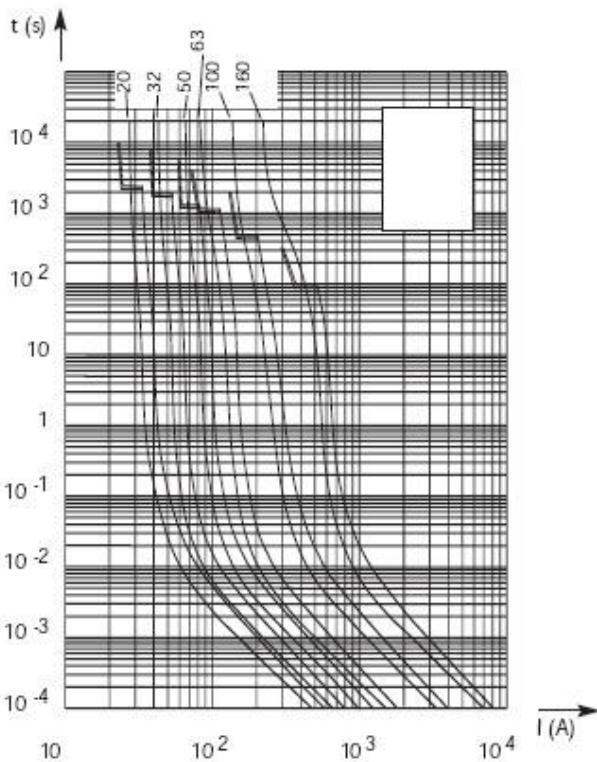
Peak arc voltage vs. working voltage



1 : L/R = 45 ms 2 : L/R = 15 ms

Above: Curves indicate for various time constants L/R the peak arc voltage, which may appear across fuse terminals, vs. DC working voltage

Time vs current characteristic 时间电流特性曲线:



Above: Curves indicate, for each rated current, pre-arcing time vs. R.M.S. pre-arcing current.

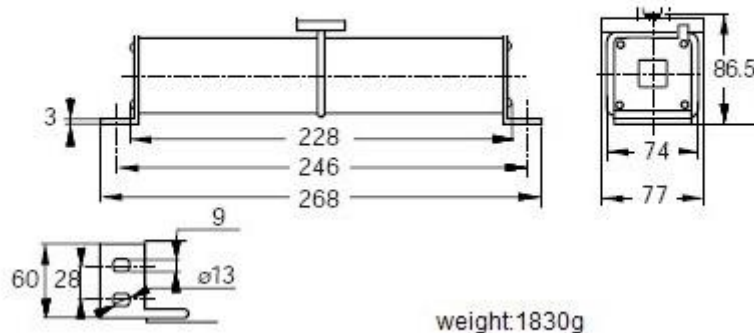
## Main Characteristics 主要技术参数 2200V~2400VDC 电流范围gR from 160 to 400 A

Size 瓷管 代号	Catalog Numbers 订货号	Designation Type 型号规格	Ampere 电流 (A)	Voltage 电压 DC(V)	Watts Loss(W) 功耗		I <sup>2</sup> t @2400V 熔断I <sup>2</sup> t(A <sup>2</sup> S)	
					0.8I <sub>n</sub>	I <sub>n</sub>	L/R=15 ms	L/R=45 ms
3LKN/246	109E8330	RDF3-160A/2400VDCgR 3LKN245	160A	2200V~2400VDC	71	142	18500	32000
	109E8331	RDF3-200A/2400VDCgR 3LKN246	200A	2200V~2400VDC	76	149	38000	66000
	109E8332	RDF3-250A/2400VDCgR 3LKN246	250A	2200V~2400VDC	90	179	68000	120000
	109E8333	RDF3-315A/2400VDCgR 3LKN246	315A	2200V~2400VDC	94	186	150000	250000
	109E8334	RDF3-350A/2400VDCgR 3LKN246	350A	2200V~2400VDC	95	187	230000	400000
	109E8335	RDF3-400A/2400VDCgR 3LKN246	400A	2200V~2400VDC	96	188	195000	325000

160A~250A Breaking Capacity分断能力 (KA) @ 2400 V=100KA L/R = 15 ms;

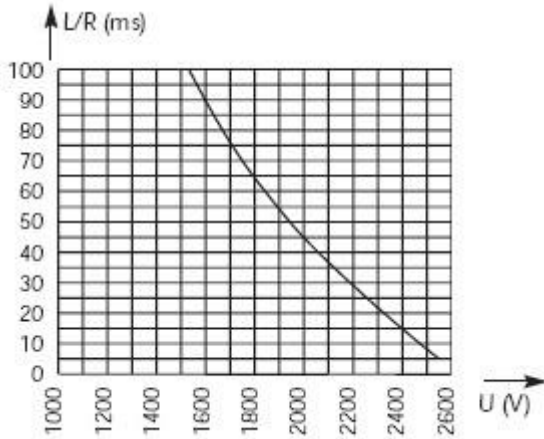
315A~400A Breaking Capacity分断能力 (KA) @ 2000 V=100KA L/R = 45 ms

### Dimensions (3LKN/246) 安装尺寸示意



## Main Characteristics 主要技术参数 2200V~2400VDC 电流范围 gR from 160 to 400 A

DC applications data 直流应用数据

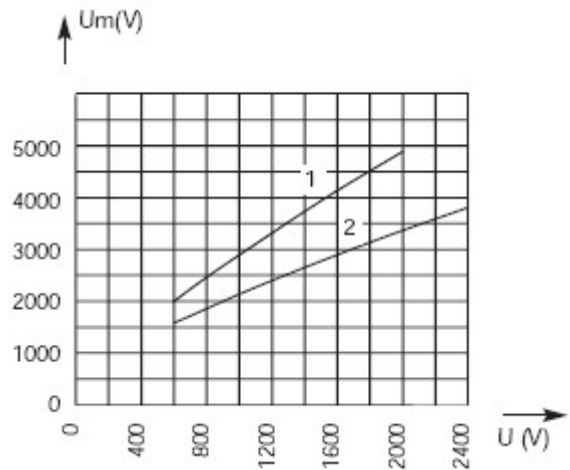


Above: Curve indicates maximum permissible value of time constant L/R as a function of DC working voltage

Max. AC voltage (50/60 Hz):

1500 V with breaking capacity of 100 kA

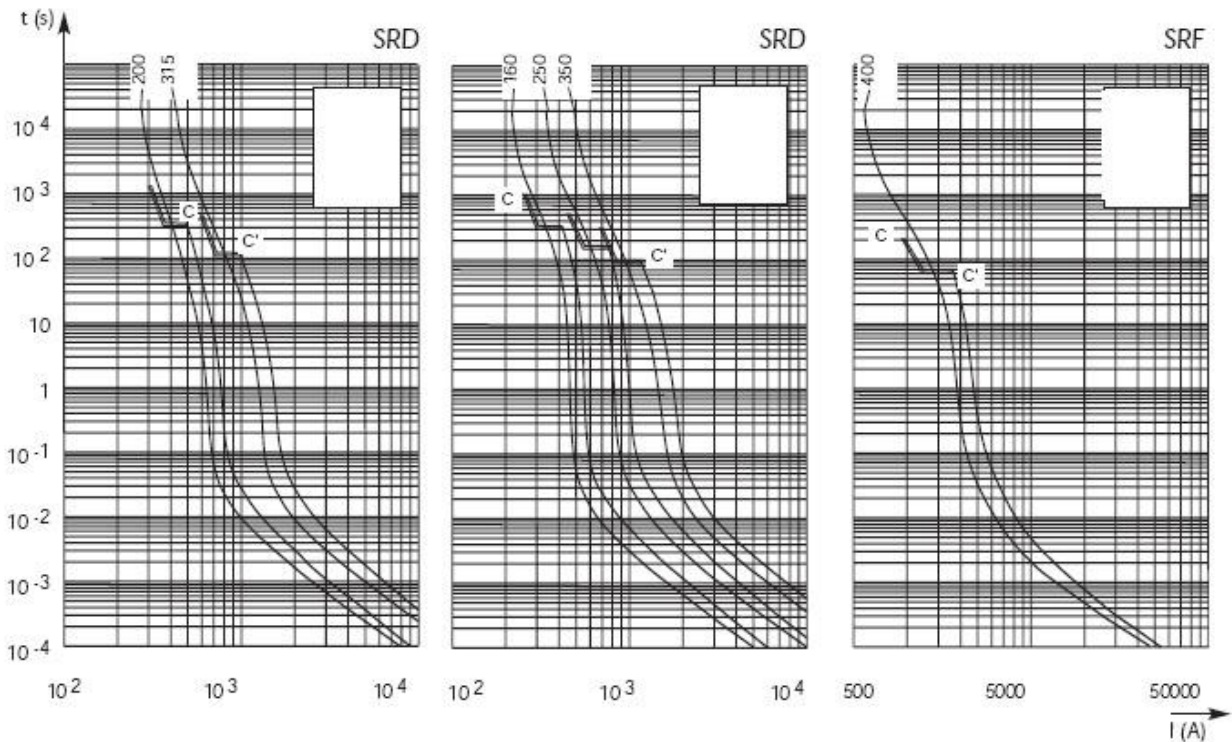
Peak arc voltage vs. working voltage



1 : L/R = 45 ms 2 : L/R = 15 ms

Above: Curves indicate for various time constants L/R the peak arc voltage, which may appear across fuse terminals, vs. DC working voltage

### Time vs current characteristic 时间电流特性曲线:



Above: Curves indicate, for each rated current, pre-arcing time vs. R.M.S. pre-arcing current.

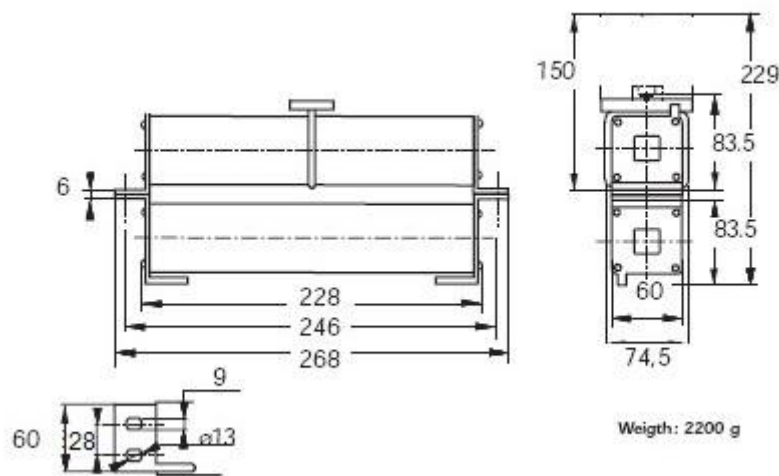
## Main Characteristics 主要技术参数 2200V~2400VDC 电流范围gR from 400 to 800 A

Size 瓷管 代号	Catalog Numbers 订货号	Designation Type 型号规格	Ampere 电流 (A)	Voltage 电压 DC(V)	Watts Loss(W) 功耗		I <sup>2</sup> t @2400V 熔断I <sup>2</sup> t(A <sup>2</sup> S)	
					0.8I <sub>n</sub>	I <sub>n</sub>	L/R=15 ms	L/R=45 ms
23LKN/246	109E8340	RDF23-400A/2400VDCgR 23LKN246	400A	2200V~2400VDC	160	313	155000	265000
	109E8341	RDF23-500A/2400VDCgR 23LKN246	500A	2200V~2400VDC	189	376	275000	480000
	109E8342	RDF23-630A/2400VDCgR 23LKN246	630A	2200V~2400VDC	197	390	600000	1*10 <sup>6</sup>
	109E8343	RDF23-700A/2400VDCgR 23LKN246	700A	2200V~2400VDC	200	393	920000	1.6*10 <sup>6</sup>
	109E8344	RDF23-800A/2400VDCgR 23LKN246	800A	2200V~2400VDC	205	395	780000	1.7 *10 <sup>6</sup>

400A~630A Breaking Capacity分断能力 (KA) @ 2400 V=100KA L/R = 15 ms;

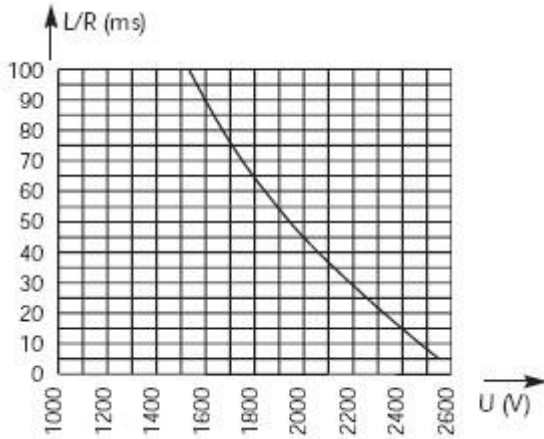
700A~800A Breaking Capacity分断能力 (KA) @ 2000 V=100KA L/R = 45 ms

### Dimensions (23LKN/246) 安装尺寸示意



## Main Characteristics 主要技术参数 2200V~2400VDC 电流范围 gR from 400 to 800 A

DC applications data

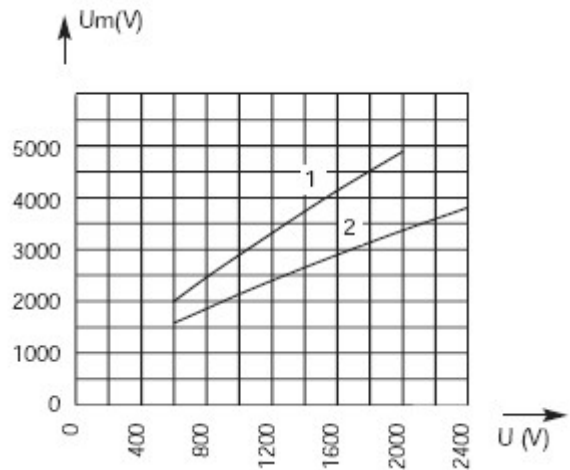


Above: Curve indicates maximum permissible value of time constant L/R as a function of DC working voltage

Max. AC voltage (50/60 Hz):

1500 V with breaking capacity of 100 kA

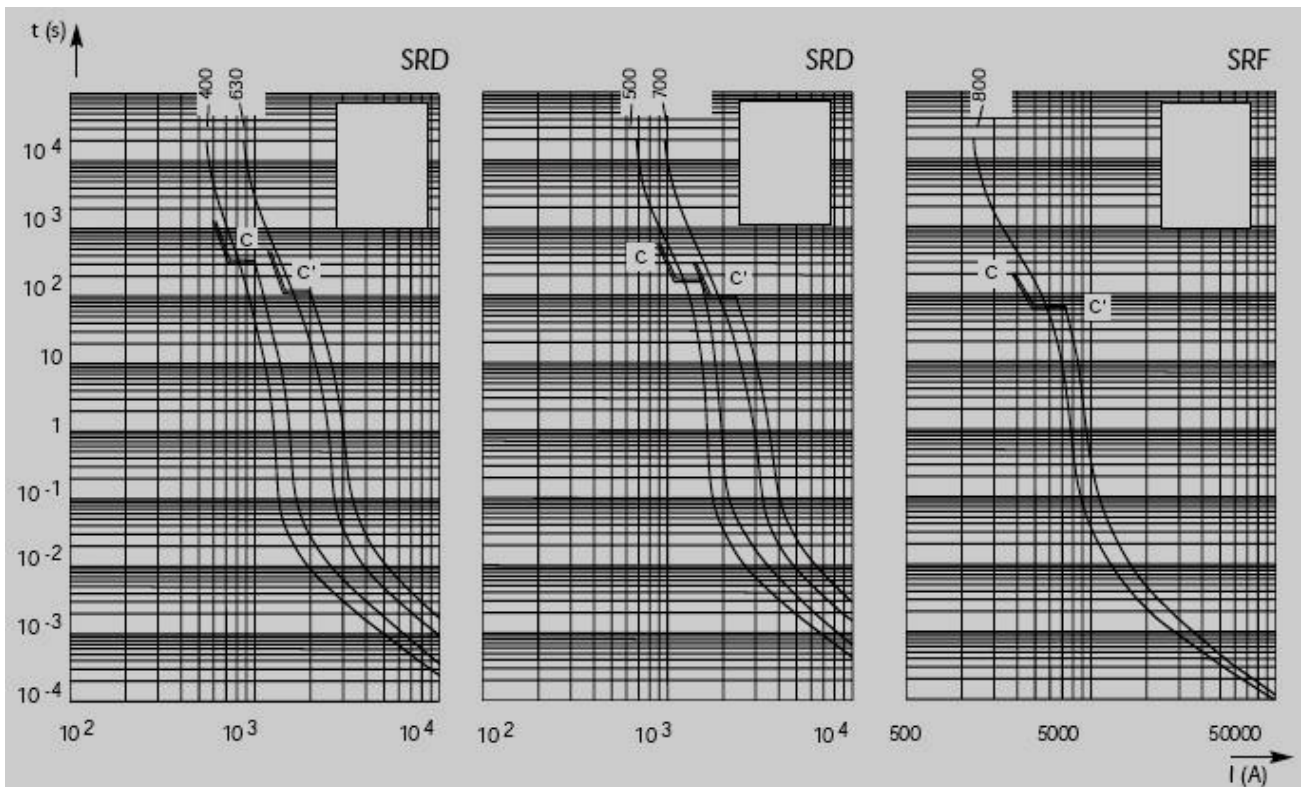
Peak arc voltage vs. working voltage



1 : L/R = 45 ms 2 : L/R = 15 ms

Above: Curves indicate for various time constants L/R the peak arc voltage, which may appear across fuse terminals, vs. DC working voltage

### Time vs current characteristic 时间电流特性曲线:



Above: Curves indicate, for each rated current, pre-arcing time vs. R.M.S. pre-arcing current.



## Main Characteristics 主要技术参数 3500V~4000VDC 电流范围gR from 6A to 125 A

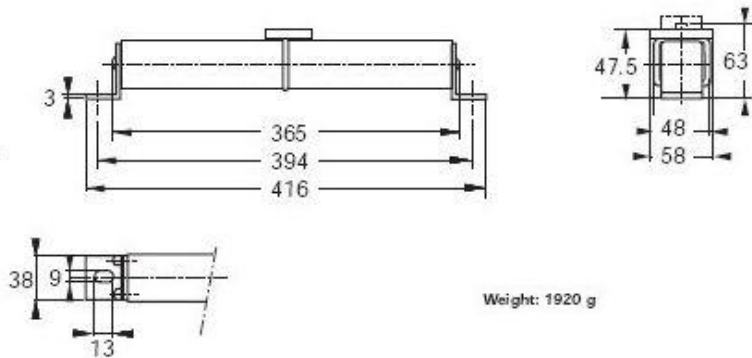
Size 瓷管代号	Catalog Numbers 订货号	Designation Type 型号规格	Ampere 电流(A)	Voltage 电压 DC(V)	Watts Loss(W)功耗	
					0.8I <sub>n</sub>	I <sub>n</sub>
2LKN/394	109E8410	RDF2-6A/3500VDCgR 2LKN394	6A	3500V~4000VDC	5.3	9.5
	109E8411	RDF2-8A/3500VDCgR 2LKN394	8A	3500V~4000VDC	7	12.7
	109E8412	RDF2-10A/3500VDCgR 2LKN394	10A	3500V~4000VDC	10.2	18.5
	109E8413	RDF2-12A/3500VDCgR 2LKN394	12A	3500V~4000VDC	11	20
	109E8414	RDF2-16A/3500VDCgR 2LKN394	16A	3500V~4000VDC	13.1	24
	109E8415	RDF2-20A/3500VDCgR 2LKN394	20A	3500V~4000VDC	14	25.4
	109E8416	RDF2-25A/3500VDCgR 2LKN394	25A	3500V~4000VDC	18	32.5
	109E8417	RDF2-32A/4000VDCgR 2LKN394	32A	3500V~4000VDC	25.5	46
	109E8418	RDF2-40A/4000VDCgR 2LKN394	40A	3500V~4000VDC	35	63
	109E8419	RDF2-50A/4000VDCgR 2LKN394	50A	3500V~4000VDC	29	52
	109E8510	RDF2-63A/4000VDCgR 2LKN394	63A	3500V~4000VDC	42	76.5
	109E8521	RDF2-80A/4000VDCgR 2LKN394	80A	3500V~4000VDC	51	92
	109E8522	RDF2-80A/4000VDCgR 2LKN394	80A	3500V~4000VDC	39	67
	109E8523	RDF2-100A/4000VDCgR 2LKN394	100A	3500V~4000VDC	50.5	88
	109E8524	RDF2-125A/4000VDCgR 2LKN394	125A	3500V~4000VDC	63	110

6A~25A Breaking Capacity分断能力 (KA) @ 3500 V=30KA L/R = 30 ms;

32A~80A Breaking Capacity分断能力 (KA) @ 4000 V=30KA L/R = 30 ms;

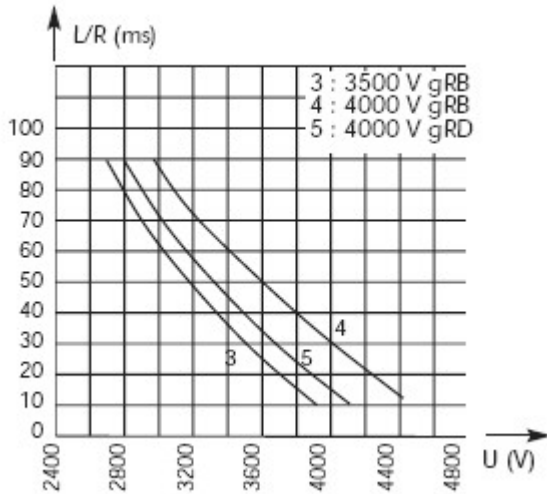
80A~125A Breaking Capacity分断能力 (KA) @ 4000 V=30KA L/R = 15 ms;

Dimensions (2LKN/394) 安装尺寸示意图



## Main Characteristics 主要技术参数 3500V~4000VDC 电流范围gR from 6A to 125 A

DC applications data 直流应用数据

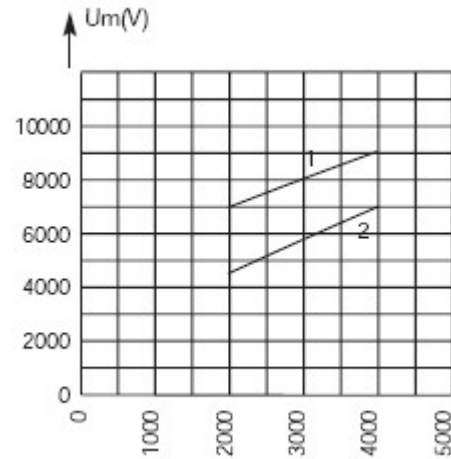


Above: Curve indicates maximum permissible value of time constant L/R as a function of DC working voltage

Max. AC voltage (50/60 Hz):

3600 V with breaking capacity of 30 kA

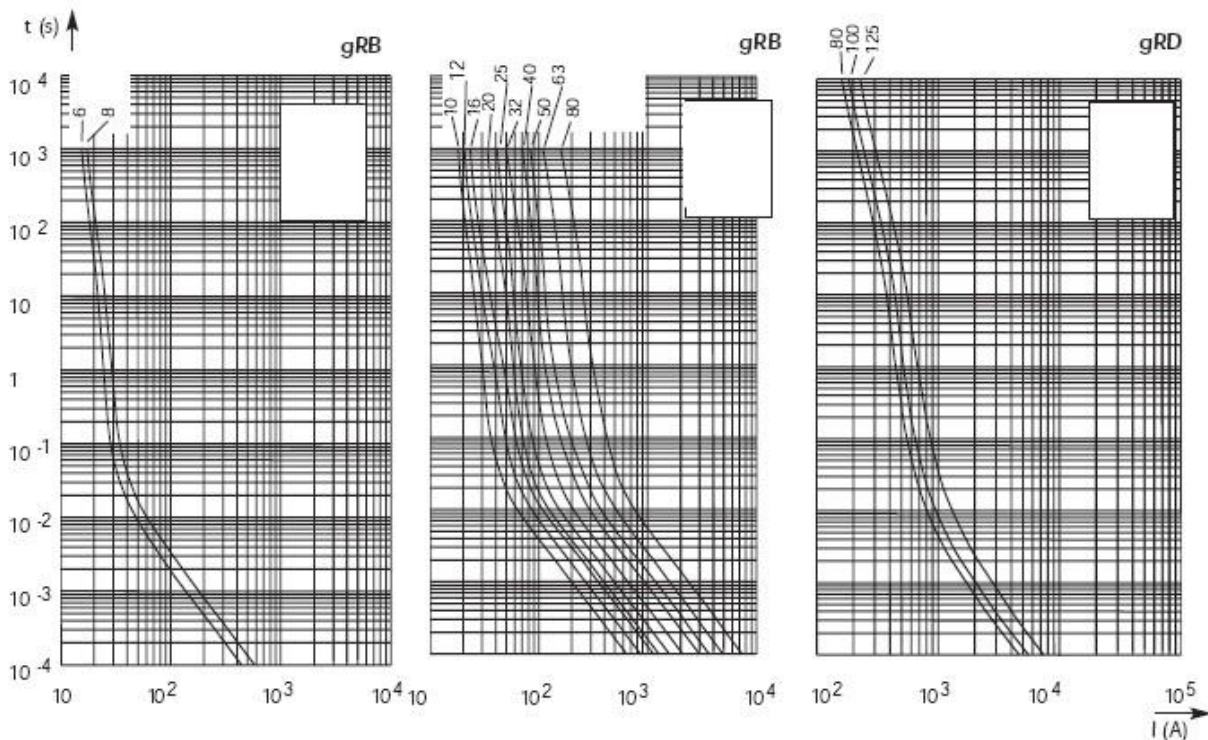
Peak arc voltage vs. working voltage



1、L/R = 30 ms-3500-4000 V gR 2、L/R = 15 ms 4000 V gR

Above: Curves indicate for various time constants L/R the peak arc voltage, which may appear across fuse terminals, vs. DC working voltage

### Time vs current characteristic 时间电流特性曲线:



Above: Curves indicate, for each rated current, pre-arcing time vs. R.M.S. pre-arcing current.

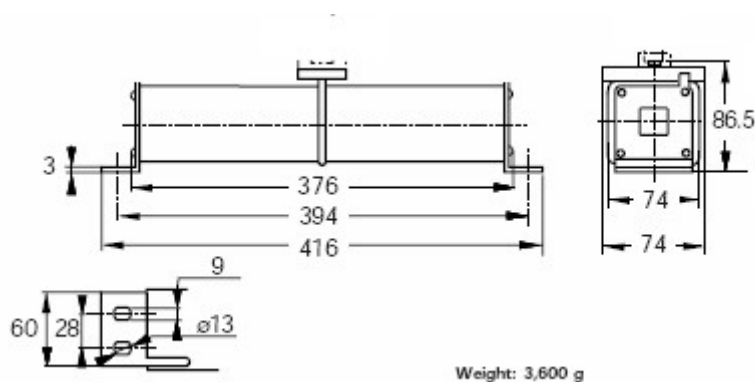
## Main Characteristics 主要技术参数 3500V~4000VDC 电流范围gR from 100A to 280 A

Size 瓷管 代号	Catalog Numbers 订货号	Designation Type 型号规格	Ampere 电流(A)	Voltage 电压 DC(V)	Watts Loss(W)功耗	
					0.8I <sub>n</sub>	I <sub>n</sub>
3LKN/394	109E8350	RDF3-100A/4000VDCgR 3LKN394	100A	3500V~4000VDC	55.6	100.8
	109E8351	RDF3-125A/4000VDCgR 3LKN394	125A	3500V~4000VDC	72.4	131.1
	109E8352	RDF3-160A/4000VDCgR 3LKN394	160A	3500V~4000VDC	84.8	153.6
	109E8353	RDF3-180A/4000VDCgR 3LKN394	180A	3500V~4000VDC	90	181
	109E8354	RDF3-200A/4000VDCgR 3LKN394	200A	3500V~4000VDC	93	195
	109E8355	RDF3-250A/4000VDCgR 3LKN394	250A	3500V~4000VDC	97	205
	109E8356	RDF3-280A/4000VDCgR 3LKN394	280A	3500V~4000VDC	108	215

100A~160A Breaking Capacity分断能力 (KA) @ 4000 V=30KA L/R = 30 ms;

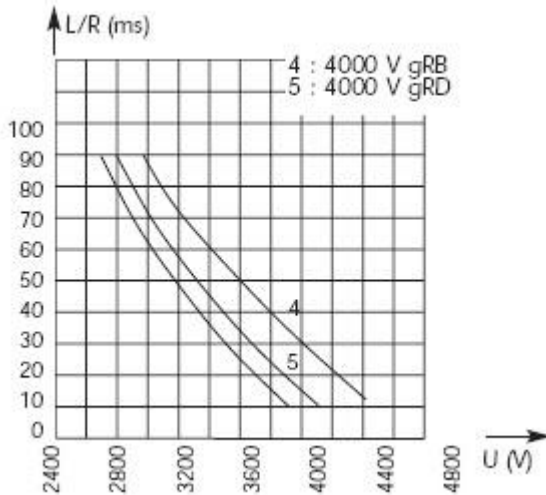
180A~280A Breaking Capacity分断能力 (KA) @ 4000 V=30KA L/R = 15 ms;

### Dimensions (3LKN/394) 安装尺寸示意



## Main Characteristics 主要技术参数 3500V~4000VDC 电流范围gR from 100A to 280 A

DC applications data 直流应用数据

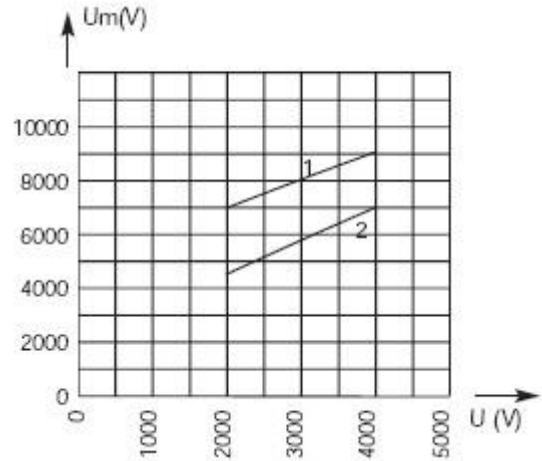


Above: Curve indicates maximum permissible value of time constant L/R as a function of DC working voltage

Max. AC voltage (50/60 Hz):

3600 V with breaking capacity of 30 kA

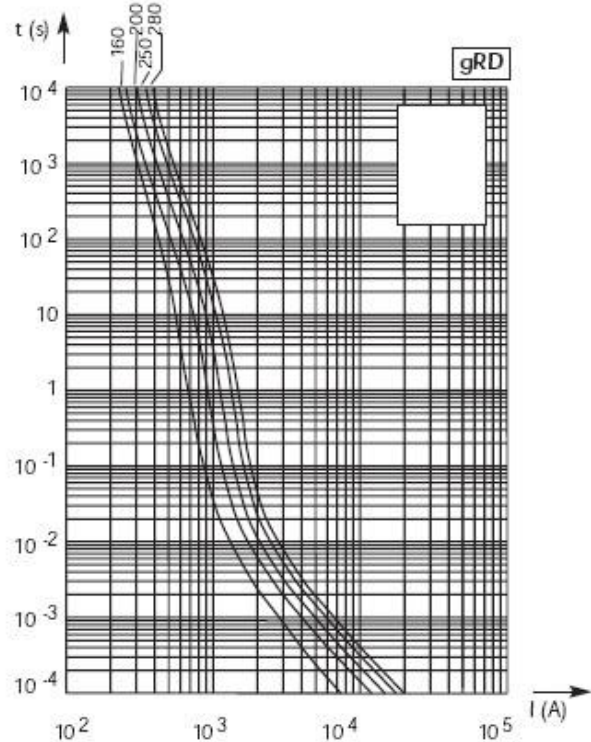
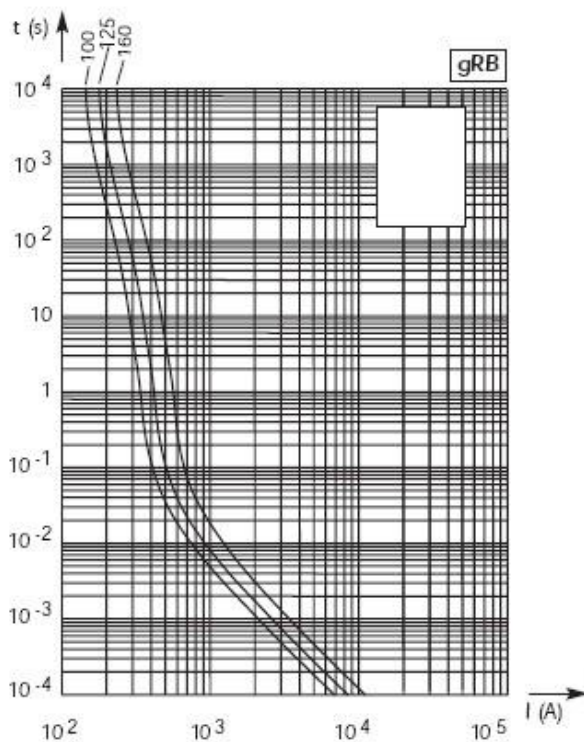
Peak arc voltage vs. working voltage



1、L/R = 30 ms 4000 V gRB 2、L/R = 15 ms 4000 V gRD

Above: Curves indicate for various time constants L/R the peak arc voltage, which may appear across fuse terminals, vs. DC working voltage

### Time vs current characteristic 时间电流特性曲线:



Above: Curves indicate, for each rated current, pre-arcing time vs. R.M.S. pre-arcing current.

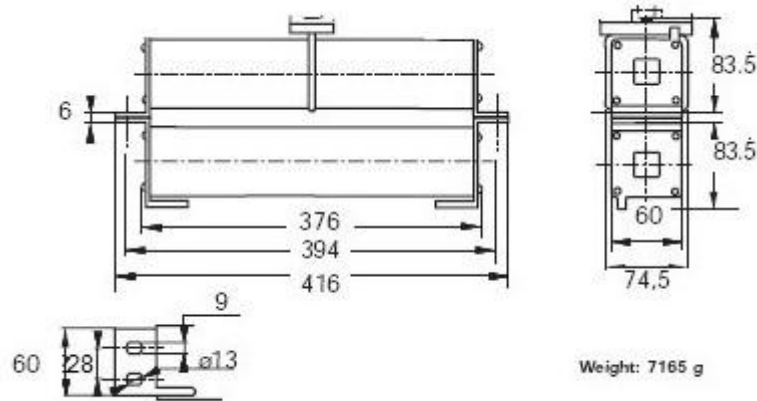
## Main Characteristics 主要技术参数 3500V~4000VDC 电流范围gR from 200A to 560 A

Size 瓷管 代号	Catalog Numbers 订货号	Designation Type 型号规格	Ampere 电流(A)	Voltage 电压 DC(V)	Watts Loss(W)功耗	
					0.8In	In
23LKN/394	109E8360	RDF23-200A/4000VDCgR 23LKN394	200A	3500V~4000VDC	109	200
	109E8361	RDF23-250A/4000VDCgR 23LKN394	250A	3500V~4000VDC	138	254
	109E8362	RDF23-315A/4000VDCgR 23LKN394	315A	3500V~4000VDC	126	231
	109E8363	RDF23-400A/4000VDCgR 23LKN394	400A	3500V~4000VDC	153	282
	109E8364	RDF23-500A/4000VDCgR 23LKN394	500A	3500V~4000VDC	190	348
	109E8365	RDF23-560A/4000VDCgR 23LKN394	560A	3500V~4000VDC	216	396

200A~250A Breaking Capacity分断能力 (KA) @ 4000 V=30KA L/R = 30 ms;

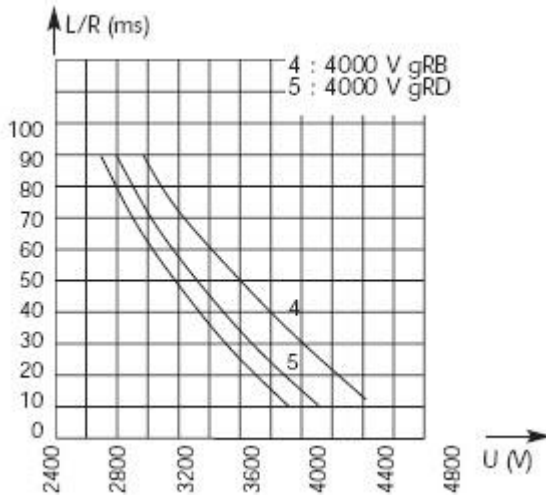
315A~560A Breaking Capacity分断能力 (KA) @ 4000 V=30KA L/R = 15 ms;

### Dimensions (23LKN/394) 安装尺寸示意



## Main Characteristics 主要技术参数 3500V~4000VDC 电流范围gR from 200A to 560 A

DC applications data 直流应用数据

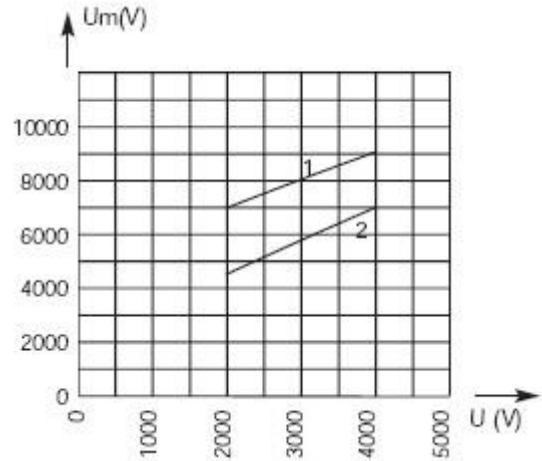


Above: Curve indicates maximum permissible value of time constant L/R as a function of DC working voltage

Max. AC voltage (50/60 Hz):

3600 V with breaking capacity of 30 kA

Peak arc voltage vs. working voltage

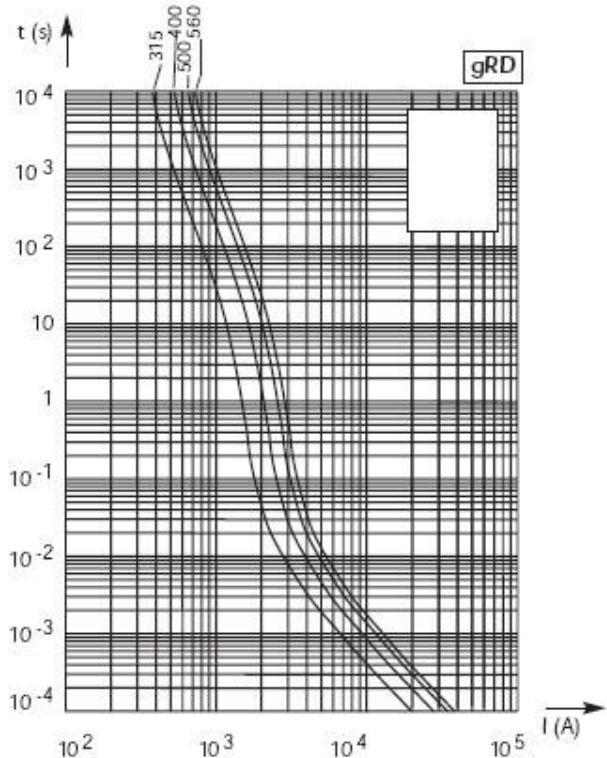
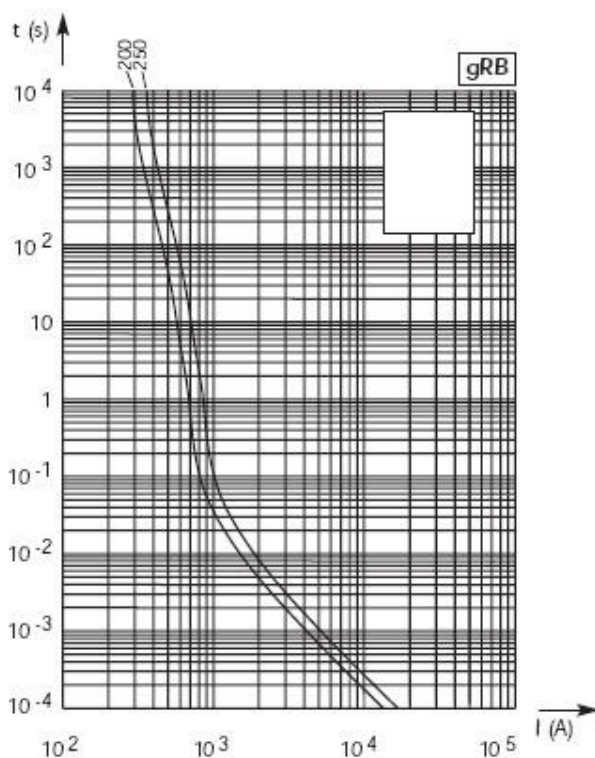


1、L/R = 30 ms 4000 V gRB 2、L/R = 15 ms 4000 V gRD

Above: Curves indicate for various time constants

L/R the peak arc voltage, which may appear across fuse terminals, vs. DC working voltage

### Time vs current characteristic 时间电流特性曲线:



Above: Curves indicate, for each rated current, pre-arcing time vs. R.M.S. pre-arcing current.

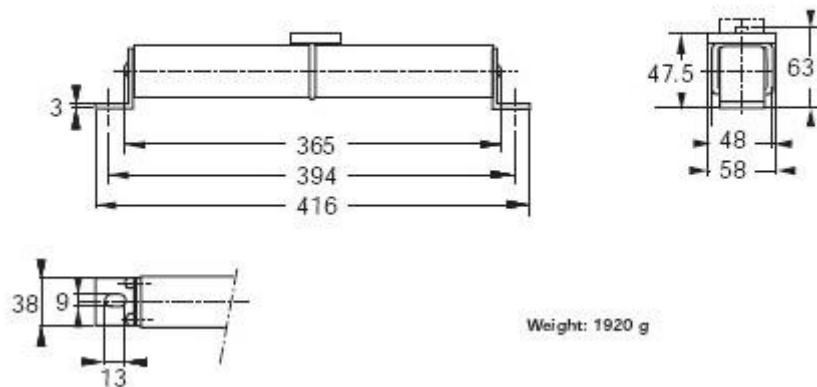
## Main Characteristics 主要技术参数 4000V~4200VDC 电流范围gR from 40A to 150 A

Size 瓷管代号	Catalog Numbers 订货号	Designation Type 型号规格	Ampere 电流(A)	Voltage 电压 DC(V)	Watts Loss(W)功耗	
					0.8I <sub>n</sub>	I <sub>n</sub>
2LKN/394	109E8430	RDF2-40A/4200VDCgR 2LKN394	40A	4000V~4200VDC	50	100
	109E8431	RDF2-50A/4200VDCgR 2LKN394	50A	4000V~4200VDC	52	103
	109E8432	RDF2-63A/4200VDCgR 2LKN394	63A	4000V~4200VDC	57	114
	109E8433	RDF2-80A/4200VDCgR 2LKN394	80A	4000V~4200VDC	65	128
	109E8434	RDF2-100A/4200VDCgR 2LKN394	100A	4000V~4200VDC	70	140
	109E8435	RDF2-125A/4200VDCgR 2LKN394	125A	4000V~4200VDC	75	147
	109E8436	RDF2-150A/4200VDCgR 2LKN394	150A	4000V~4200VDC	78	155

40A~50A Breaking Capacity分断能力 (KA) @ 4000 V=60KA L/R = 25 ms;

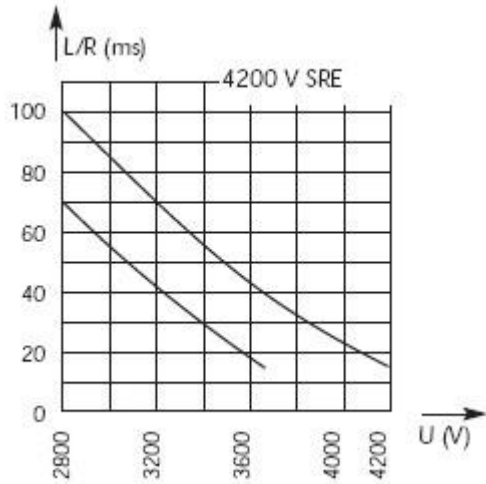
63A~150A Breaking Capacity分断能力 (KA) @ 4200 V=60KA L/R = 15 ms;

### Dimensions (2LKN/394) 安装尺寸示意图



## Main Characteristics 主要技术参数 4000V~4200VDC 电流范围gR from 40A to 150 A

DC applications data 直流应用数据

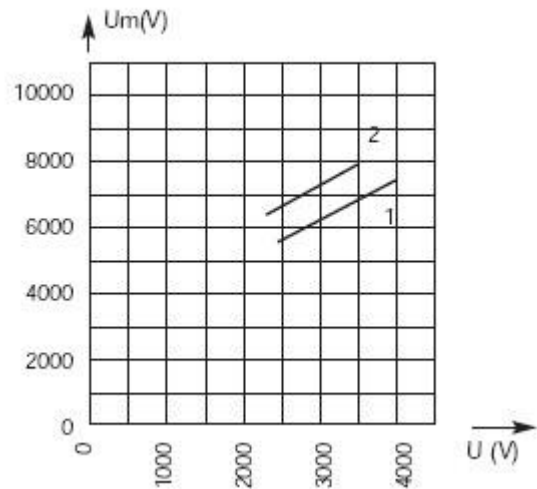


Above: Curve indicates maximum permissible value of time constant L/R as a function of DC working voltage

Max. AC voltage (50/60 Hz):

3800 V with breaking capacity of 50 kA

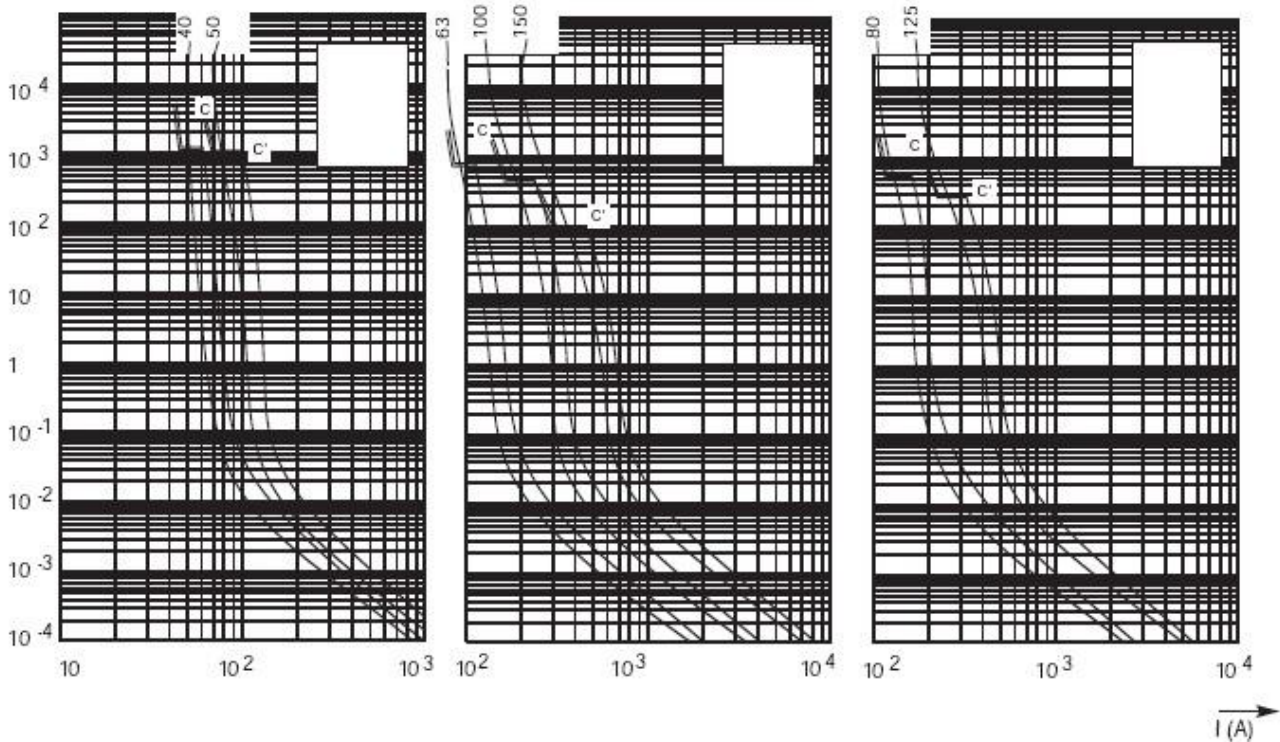
Peak arc voltage vs. working voltage



1、L/R = 15 ms 4200 V SRE 2、L/R = 45ms 4200 V SRE

Above: Curves indicate for various time constants L/R the peak arc voltage which may appear across fuse terminals, vs. DC working voltage

### Time vs current characteristic 时间电流特性曲线:



Above: Curves indicate, for each rated current, pre-arcing time vs. R.M.S. pre-arcing current.

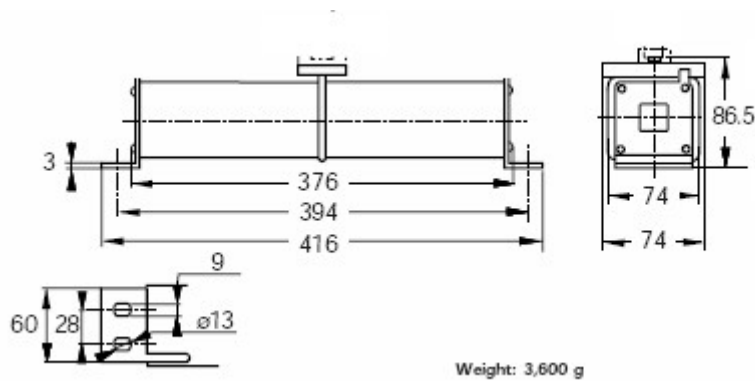


## Main Characteristics 主要技术参数 4000V~4200VDC 电流范围gR from 200A to 375 A

Size 瓷管代号	Catalog Numbers 订货号	Designation Type 型号规格	Ampere 电流(A)	Voltage 电压 DC(V)	Watts Loss(W)功耗	
					0.8I <sub>n</sub>	I <sub>n</sub>
3LKN/394	109E8370	RDF3-200A/4200VDCgR 3LKN394	200A	4000V~4200VDC	119	228
	109E8371	RDF3-250A/4200VDCgR 3LKN394	250A	4000V~4200VDC	122	232
	109E8372	RDF3-315A/4200VDCgR 3LKN394	315A	4000V~4200VDC	128	245
	109E8373	RDF3-375A/4200VDCgR 3LKN394	375A	4000V~4200VDC	147	280

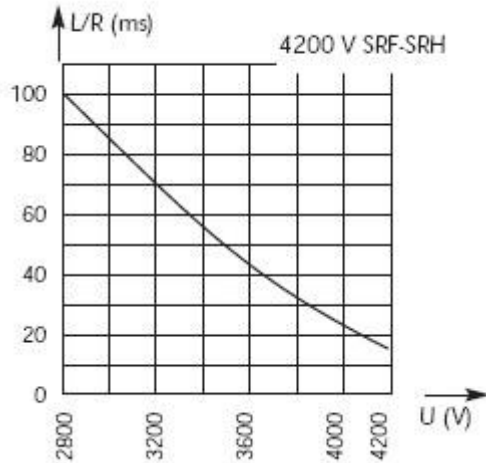
Breaking Capacity分断能力 (KA) @ 4200 V=60KA L/R = 15

### Dimensions (3LKN/394) 安装尺寸示意



## Main Characteristics 主要技术参数 4000V~4200VDC 电流范围gR from 200A to 375 A

DC applications data 直流应用数据

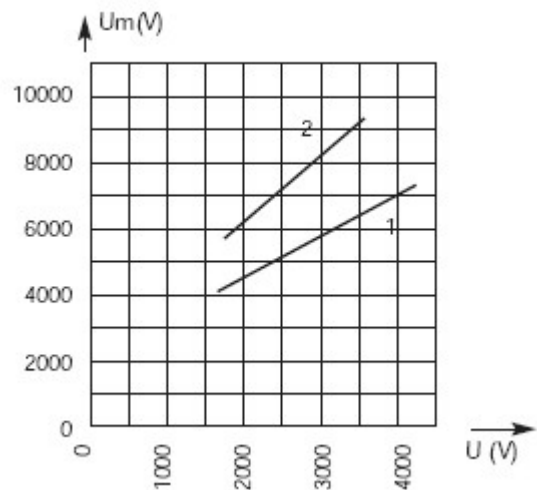


Above: Curve indicates maximum permissible value of time constant L/R as a function of DC working voltage

Max. AC voltage (50/60 Hz):

3800 V with breaking capacity of 50 kA

Peak arc voltage vs. working voltage

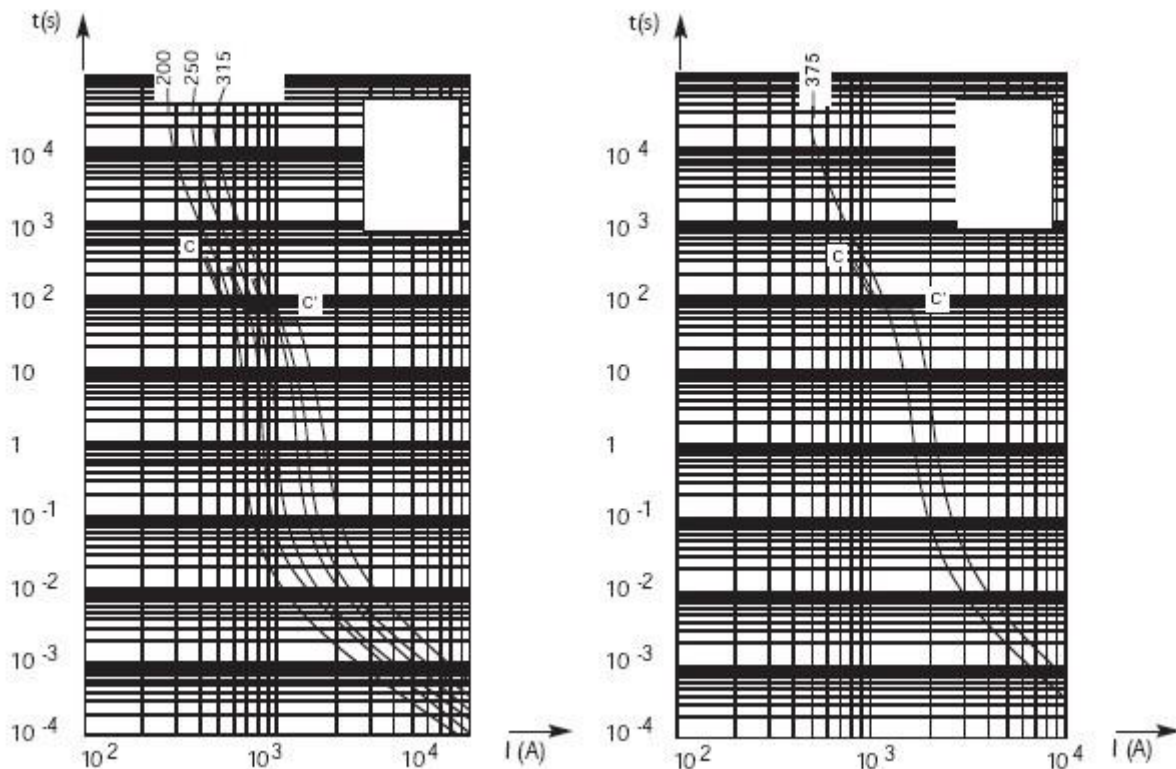


1、L/R = 15 ms 4200 V SRF-SRH

2、L/R = 45ms 4200 V SRF-SRH

Above: Curves indicate for various time constants L/R the peak arc voltage, which may appear across fuse terminals, vs. DC working voltage

Time vs current characteristic 时间电流特性曲线:



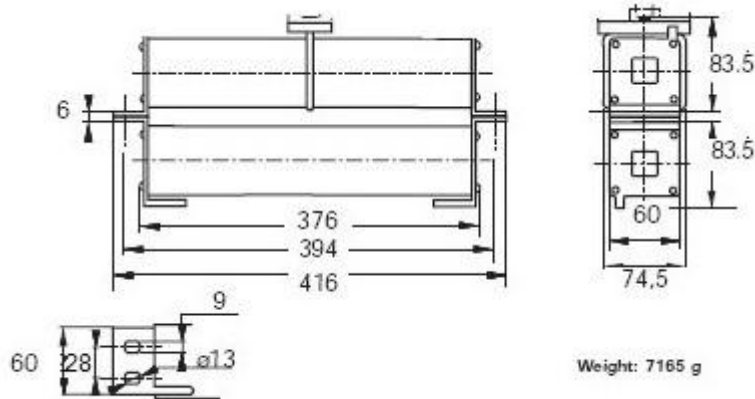
Above: Curves indicate, for each rated current, pre-arcing time vs. R.M.S. pre-arcing current.

## Main Characteristics 主要技术参数 4000V~4200VDC 电流范围gR from 400A to 750 A

Size 瓷管 代号	Catalog Numbers 订货号	Designation Type 型号规格	Ampere 电流 (A)	Voltage 电压 DC(V)	Watts Loss(W) 功耗		I <sup>2</sup> t @4200V 熔断I <sup>2</sup> t(A <sup>2</sup> S)	
					0.8I <sub>n</sub>	I <sub>n</sub>	L/R=15 ms	L/R=45 ms
23LKN/394	109E8610	RDF23-400A/4200VDCgR 23LKN394	400A	4000V~4200VDC	250	480	180000	320000
	109E8611	RDF23-500A/4200VDCgR 23LKN394	500A	4000V~4200VDC	256	487	400000	720000
	109E8612	RDF23-630A/4200VDCgR 23LKN394	630A	4000V~4200VDC	270	515	880000	1500000
	109E8613	RDF23-750A/4200VDCgR 23LKN394	750A	4000V~4200VDC	310	590	780000	1300000

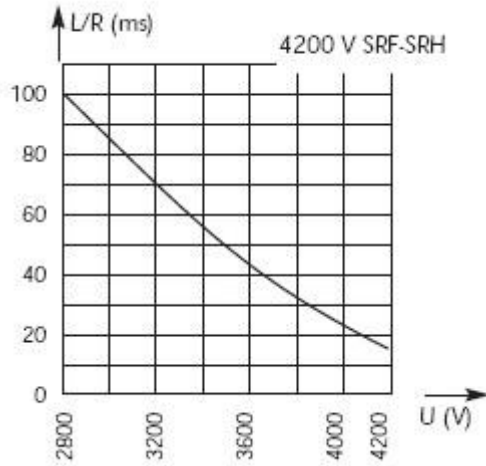
Breaking Capacity分断能力 (KA) @ 4200 V=60KA L/R = 15

### Dimensions (23LKN/394) 安装尺寸示意



## Main Characteristics 主要技术参数 4000V~4200VDC 电流范围gR from 400A to 750 A

DC applications data 直流应用数据

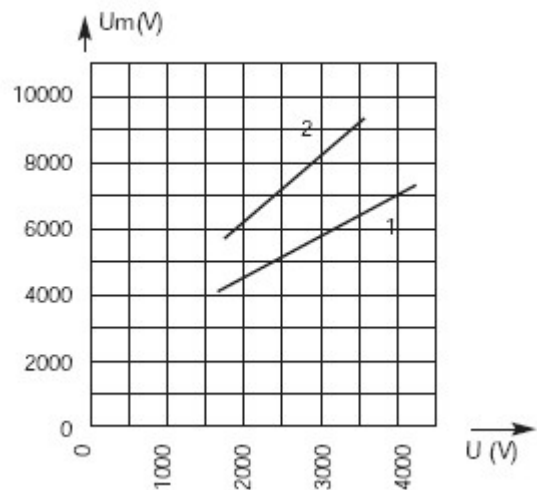


Above: Curve indicates maximum permissible value of time constant L/R as a function of DC working voltage

Max. AC voltage (50/60 Hz):

3800 V with breaking capacity of 50 kA

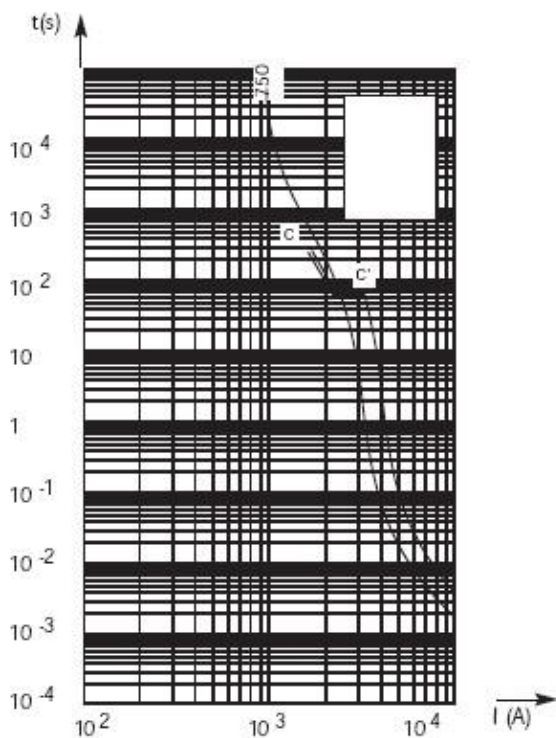
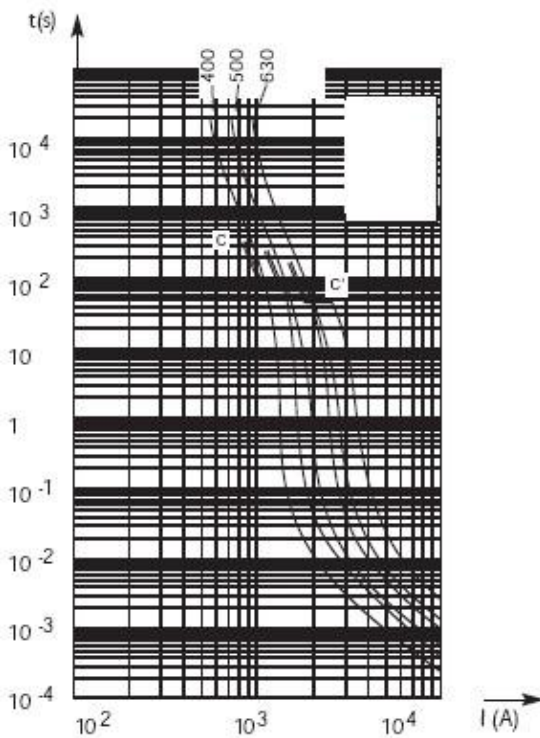
Peak arc voltage vs. working voltage



1、L/R = 15 ms 4200 V SRF-SRH 2、L/R = 45ms 4200 V SRF-SRH

Above: Curves indicate for various time constants L/R the peak arc voltage, which may appear across fuse terminals, vs. DC working voltage

Time vs current characteristic 时间电流特性曲线:



Above: Curves indicate, for each rated current, pre-arcing time vs. R.M.S. pre-arcing current.